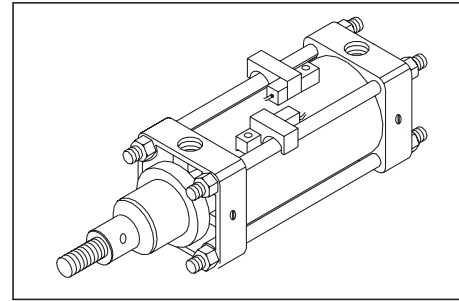


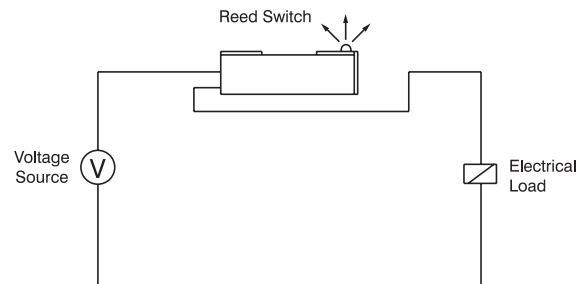
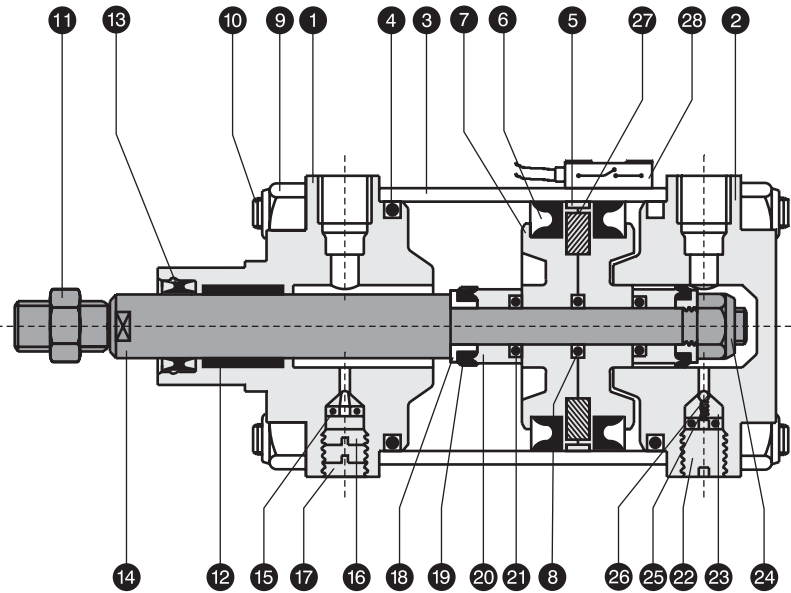
Ø 1½" - Ø 4" Medium Bore Reed Switch Cylinders

- Reed switch facility is useful for electrical interfacing to carry out multiple electropneumatic functions.
- Light emitting diode provided as a standard feature with reed switch.
- Reed switch suitable for any voltages between 24 - 240 V AC/DC (10 W / 0.5 Amp.)



PART LIST

NO.	DESCRIPTION	QTY.
1	Front cover	1
2	Rear cover	1
3	Tube	1
4	'O' ring for cover	2
5	Wear ring	1
6	'U' cup seal for piston	2
7	Piston	2
8	'O' ring for piston	1
9	Tie rod nut	8
10	Tie rod	4
11	Lock nut	1
12	Bush bearing	1
13	Wiper Seal	1
14	Piston rod	1
15	'O' ring for bleed screw	2
16	Bleed screw	2
17	Lock nut	2
18	Cap	2
19	Cushioning seal	2
20	Sleeve	2
21	'O' ring for sleeve	2
22	Check screw	2
23	'O' ring for check screw	2
24	Piston rod nut	1
25	Spring	2
26	Ball	2
27	Magnet	2
28	Reed switch assembly	As per rsq.



NOTE : Please ensure that connected electrical load and the switching current are within specified limits. Excess of any parameter can cause failure of reed switch.

Seal kit consists of items 4, 6, 8, 13, 15, 19, 21 & 23.

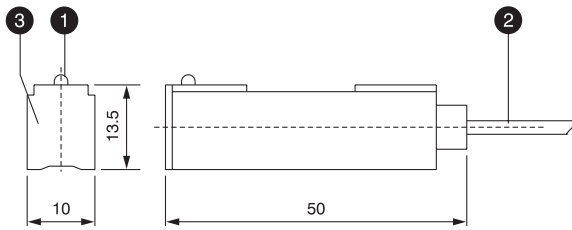
SPECIFICATIONS

Medium	Compressed Air, Filtered
Design	Pneumatic piston cylinder with adjustable cushioning at both ends
Max. operating pressure	10 bar
Temperature range	-10° C to 85° C (180° C for viton seals)
Material	a) End Covers : Aluminium b) Piston Rod : EN8 Hard chrome plated (Stainless steel optional) c) Cylinder barrel : Hard anodized aluminium d) Seals : NBR (Viton optional)

Ø 1½" - Ø 4" Medium Bore Reed Switch Cylinder

SCHRADER
DUNCAN LIMITED

SPC-08



REED SWITCH SPECIFICATIONS

Part no.	RSW 3210
Suitable for	Ø 1-1/2" to Ø 4" Small bore cylinders
Design	Normally open reed, actuated by magnetic field
Mounting	With reed switch bracket mounted on tie rod
Connection	Two cored PVC cable, 2 meters long (2 X 0.14 mm ²)
Max. switching capacity	10 W
Max. switching current	0.50 amps.
Voltage range	24 - 240 Volts, AC or DC
Degree of protection	IP 67
Temperature range	-5° C to 60° C

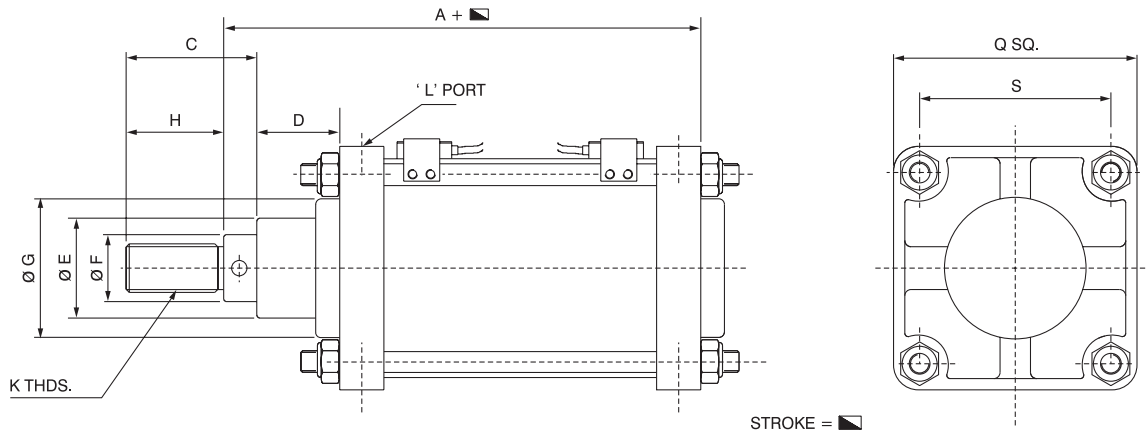
PART LIST : Reed Switch

NO.	DESCRIPTION	QTY.
1	Light emitting diode	1
2	Two cored cable	1
3	Housing	1

PART NOS. FOR BRACKET

Cyl. size	Ø 1-1/2" 38 mm	Ø 2-1/4" 57 mm	Ø 2-1/2" 63 mm	Ø 3" 76 mm	Ø 4" 102 mm
Part no.	RSB 32	RSB 40		RSB 63	
Design	Reed switch fitted on bracket and mounted on the tie rods at any desired position.				
Material	Black anodized aluminium.				

BASIC CYLINDER DIMENSIONS



BORE SIZE	A	C	D	Ø E	Ø F	Ø G	H	K BSF	K METRIC ALTERNATE	L BSP	Q SQ.	S
38 (1-1/2")	134	34	35	30	16	35	21	1/2" - 16	M 12 X 1.5 P	1/4"	51	37
57 (2-1/4")	134	34	35	30	16	45	21	1/2" - 16	M 12 X 1.5 P	1/4"	70	53
63 (2-1/2")	134	34	35	30	16	51	21	1/2" - 16	M 12 X 1.5 P	1/4"	76	57
76 (3")	159	49	43	42	25	61	31	3/4" - 12	M 20 X 1.5 P	3/8"	89	67
102 (4")	159	49	43	42	25	61	31	3/4" - 12	M 20 X 1.5 P	3/8"	112	86

NOTE : For cylinder Part nos. and mounting details, refer data sheet no. SPC-07 (The prefix for reed switch cylinder is 'Y' instead of 'C'.)