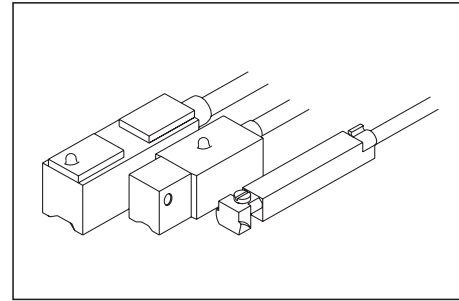


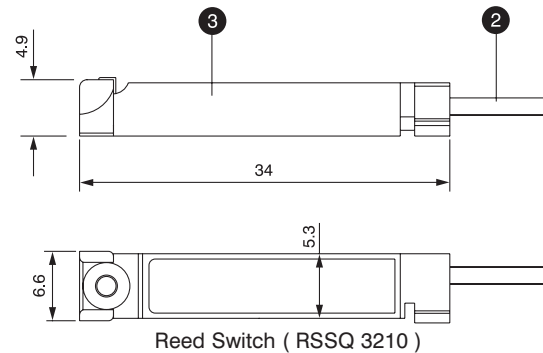
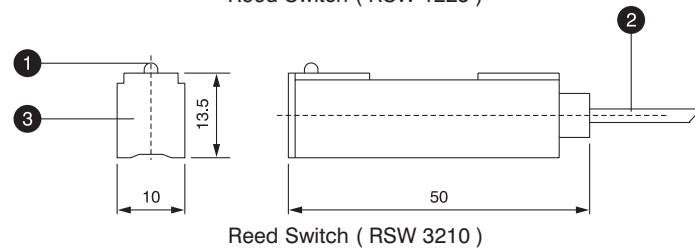
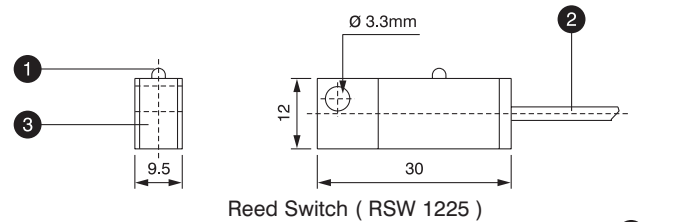
Magnetic Proximity Reed Switches for Cylinders

- Useful as contactless piston position indicator for cylinders.
- Light emitting diode provided as a standard feature for easy indication.
- Incorporates integral protective circuit for longer life.
- Ideal for integration of multiple electropneumatic functions.
- Suitable for any voltage upto 240 V AC / DC.



PART LIST

NO.	DESCRIPTION	QTY.
1	Light emitting diode	1
2	Two cored cable	1
3	Housing	1

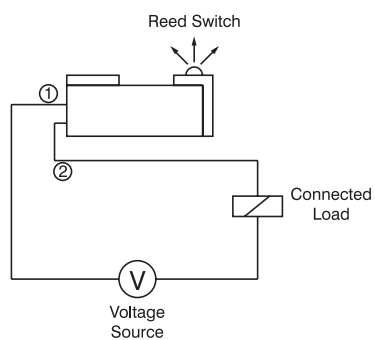


SPECIFICATIONS

Part no.	RSW 1225	RSW 3210	RSSQ 3210	
			RSSQ 3210A	RSSQ 3210B
Suitable for	Ø 12 to Ø 25 ISO cylinders	Ø 32 to Ø 100 Round tube cylinders Ø 32 to Ø 100 Square tube cylinders Ø 1-1/2" to Ø 4" Small bore cylinders	Ø 32 to Ø 100 Square tube cylinders	
Design	Normally open reed, actuated by magnetic field			
Mounting	Fitted with SS clamp on barrel	For Round tube cyl. : With reed switch bracket mounted on tie rod For Square tube cyl. : With reed switch bracket mounted in square slot	Direct insertion/removal in the slot provided on the square tube	
Connection	Two cored PVC cable, 2 meters long (2 X 0.14 mm ²)			
Max. switching capacity	6 W.	10 W.	6 W.	10 W.
Max. switching current	0.20 amps.	0.50 amps.	0.20 amps.	0.50 amps.
Voltage range	24 - 240 Volts AC or DC		5 - 130 V AC or DC	5 - 240 V AC or DC
Degree of protection	IP 67			
Temperature range	- 5°C to 60°C			

REED SWITCH DIAGRAM

2 Wire Reed Switch

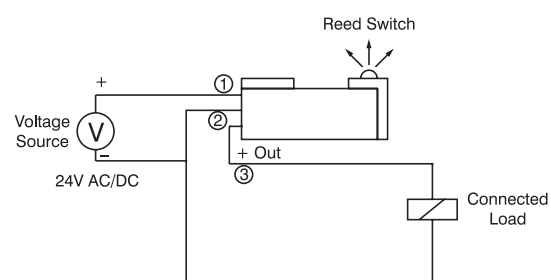


Wire Colour Code :

- 1) Brown / Red
- 2) Black

Voltage Range : 5 - 240V AC/DC
Max. Switching Current : 0.5 AMP
Wattage : 10 Watts

3 Wire Reed Switch



Wire Colour Code :

- 1) Brown / Red
- 2) Blue / Green
- 3) Black

Voltage Range : 24V AC/DC
Max. Switching Current : 0.5 AMP
Wattage : 10 Watts

NOTE : 1) Please ensure that connected electrical load and the switching current are within specified limits.
2) Excess of any parameter can cause failure of reed switch.