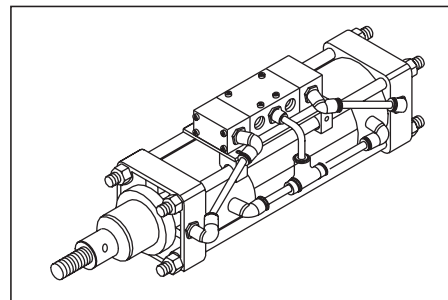


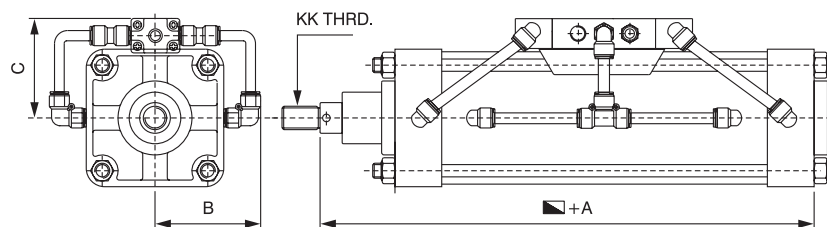
### Self Reciprocating Cylinders & Air Motor

- Above products are developed for specific application like self reciprocation, 90° actuation, impact loading etc.
- Product to specific need can developed against requirements.



### Self reciprocating Cylinder

- Offered with 2-1/4", 3" and 4" cylinders.
- Useful where continuous reciprocation of piston rod is required.
- Adjustment of frequency of operation possible with flow control valve.
- Being all pneumatic construction, this device is particularly useful where electrical installation has to be avoided.



CYL. DIA	STROKE + A	B	C	KK THRD.
57 ( 2-1/4" )	202	54	57	1/2" - 16 BSF
76 ( 3" )	228	64	65	3/4" - 12 BSF
101 ( 4" )	228	75	83	3/4" - 12 BSF

### ORDERING INFORMATION

CYL. SERIES	BORE SIZE	STROKE IN mm
S S C	2 1/4" = 02	97mm = 097
	3" = 03	200mm = 200
	4" = 04	5 inch = 127

### Air Motor

- Valve mounted on cylinder & duly connected.
- Suggested combinations :

CYLINDER BORE	VALVE
1-1/2" To 4" 32mm To 100mm	1/4" Spool valve
5" And 6" 125mm To 160mm	3/8" Poppet valve
8" And above 200mm and above	3/4" Poppet valve

- For specific requirements contact us.

