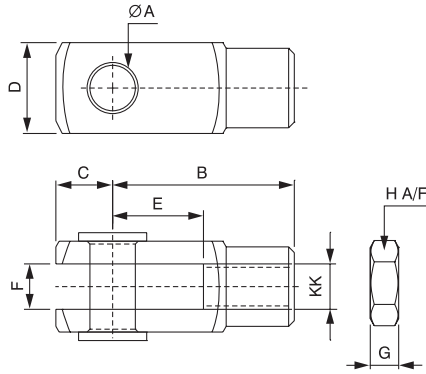
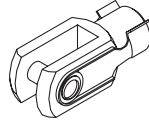


Accessories For Cylinders

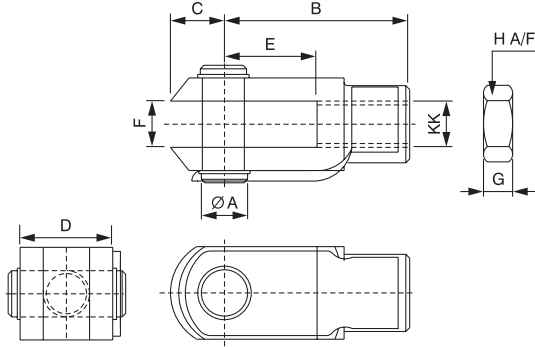
- Accessories are optional elements which help in interlinking of cylinders with other linkages.
- Rod eye end, Universal coupler help in angular compensation.
- Piston rod clevis and Hinge mounting facilitate swivelling connection.

A) Piston Rod Clevis

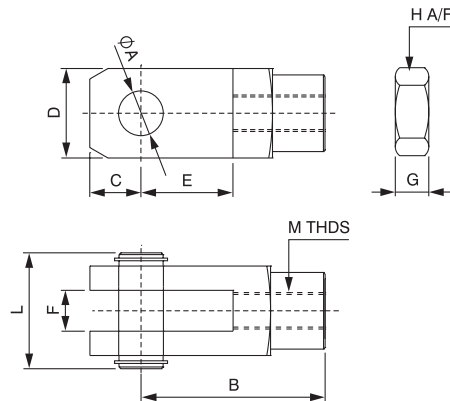
Piston Rod clevis facilitates the swivelling connection when attached to the piston rod front end. The rod clevis upto 4"/100 mm cylinder is provided with special clamp for easy assembly / dismantling.



For $\phi 12\text{mm}$ to $\phi 20\text{mm}$ Bore Cylinder



For $\phi 1\text{-}1/2''$ to $\phi 6''$ and $\phi 32$ to $\phi 100$ mm Bore Cylinder



For $\phi 125, 160$ & 200 mm Bore Cylinder

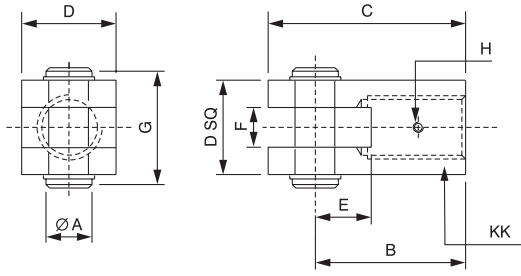
PART NO.	SUITABLE FOR CYLINDER	Ø A H9	B	C	D	E	F	G	H	KK
FK - 12	12, 16	6*	24	7	12	12	6	5	10	M 6 x 1.0
FK - 20	20	8	32	10	16	16	8	5	13	M 8 x 1.25
FK - 1	1"	5/16"	39	10	17	20	8	5	1/2"	5/16"-22 BSF
FK - 32	25, 32	10	40	12	20	20	10.2	5	17	M 10 x 1.25P
FK - 40	40	12	48	14	24	24	12.2	7	19	M 12 x 1.25P
FK - 50	50.63	16	64	16	30	32	16.2	8	24	M 16 x 1.5P
FK - 2.5	1-1/2", 2-1/4" 2-1/2"	1/2"	64	16	30	32	16.2	7	3/4"	1/2"- 16BSF
FK - 80	80.100	20	80	19	38	40	20.2	9	30	M 20 x 1.5P
FK - 4	3", 4"	3/4"	80	19	38	40	3/4"	12	1-3/16"	3/4"-12 BSF
FK - 6	5", 6"	1"	89	25	51	51	1"	15	38	1"-10 BSF

* -0.03 / -0.06 mm

Material : Fork.Clip and Nut : Steel (White Zinc Passivation)

PART NO.	SUITABLE FOR CYLINDER	Ø A H9	B	C	D SQ	E	F +0.6 +0.15	G	H	L	M THDS
ISO FORK - 125	125 mm	Ø30	110	38.5	55	54	30	15	41	62	M27 x 2P
ISO FORK - 160 & 200	160 & 200 mm	Ø35	144	57	70	72	35	18	55	95	M36 x 2P

Material : Fork.Clip and Nut : Steel (White Zinc Passivation)



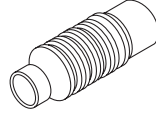
For \varnothing 8" to \varnothing 14" Bore Cylinder

PART NO.	SUITABLE FOR CYLINDER	Ø A	B	C	D SQ.	E	F	G	H	KK
FK - 8	8"	25.4	95.2	127	63.5	38.1	25.4	73.4	5/16"-22BSF Socket Set Screw	1-1/2" 8 BSF
FK - 12	10" 12" 14"	31.7	120.6	158.7	76.5	44.4	31.7	86.5	M 10 X 1.25P Socket Set Screw	2" 7 BSF

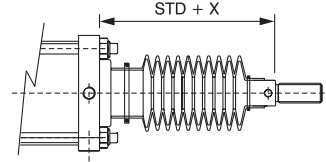
Material : Fork.Clip and Nut : Steel (White Zinc Passivation)

B) Protective Leather Bellows

Leather bellows protect the piston rod and internal seals under dusty and arduous working conditions by covering it.

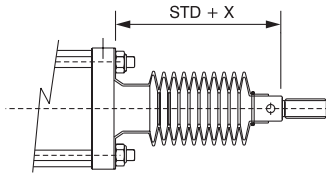


Arrangement for \varnothing 1-1/2" to \varnothing 6" and \varnothing 32 to \varnothing 100 mm Bore Cylinder



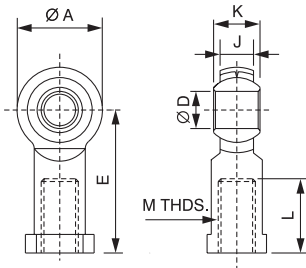
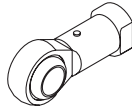
Note : Extra piston rod projection ('X').
Upto 150mm stroke - 25% of the actual stroke length.
Beyond 150mm stroke - 20% of the actual stroke length.
The working of extra piston rod projection is valid for all sizes of bore.

Arrangement for \varnothing 8", \varnothing 10", \varnothing 12", \varnothing 14" Bore Cylinder



C) Rod Eye End

Rod eye end helps in angular compensation between the cylinder and mating part.

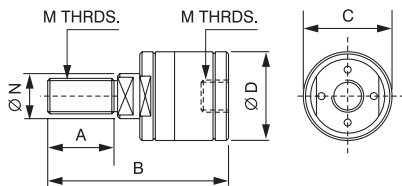
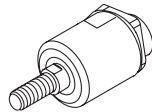


PART NO.	SUITABLE ON	M THDS.	Ø A	Ø D	E	K	J	L
SB 6	12 mm, 16 mm ISO	M 6 x 1	18	6	30	9	7	14
SB 8	20 mm ISO	M 8 x 1.25	22	8	36	12	9	17
SB 10	25 mm, 32 mm ISO	M 10 x 1.25	26	10	43	14	11	21
SB 12	40 mm ISO	M 12 x 1.25	30	12	50	16	12	24
SB 12 A	1-1/2", 2-1/4", 2-1/2" Medium Bore	M 12 x 1.5	30	12	50	16	12	24
SB 16	50 mm, 63 mm ISO	M 16 x 1.5 P	40	17	67	22	16	34
SB 20	80 mm, 100 mm ISO 3", 4" Medium Bore	M 20 x 1.5 P	46	20	77	25	18	40
SB 27	5", 6" Large Bore	M 27 x 2 P	62	28	103	35	25	53
SB 30	\varnothing 125 mm ISO Large Bore	M 27 x 2 P	70	30	110	37	26	45
SB 35	\varnothing 160 & 200 mm ISO Large Bore	M 36 x 2 P	81	35	125	43	28	56

Material : 1) Housing - Carbon Steel (Unichrome Plated)
2) Ball - High Carbon Chromium Bearing Steel
3) Insert - Copper Alloy

D) Universal Coupler

Universal coupler forms floating joint and thus helps in axial compensation.



SUITABLE FOR CYLINDER	PART NO.	A	B	C	Ø D	E	M THRS.	Ø N
32 mm ISO	UC - 10	20	60	22	25	0.7	M 10 x 1.25 P	12
40 mm ISO 1-1/2", 2-1/4", 2-1/2" Standard Bore	UC - 12	24	68	29	32	0.7	M 12 x 1.25 P M 12 x 1.5 P	15
50 mm ISO, 63 mm ISO	UC - 16	32	84	36	40	1.0	M 16 x 1.5 P	20
80 mm ISO, 100 mm ISO 3", 4" Standard Bore	UC - 20	40	103	46	50	1.2	M 20 x 1.5 P	25
8" Large Bore	UC - 36	72	190	85	93	2	M 36 x 2 P	45

E is axial float from centreline.