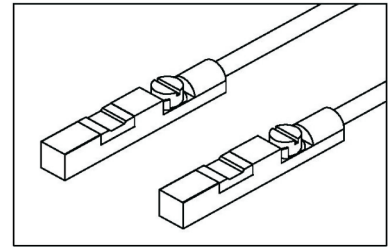


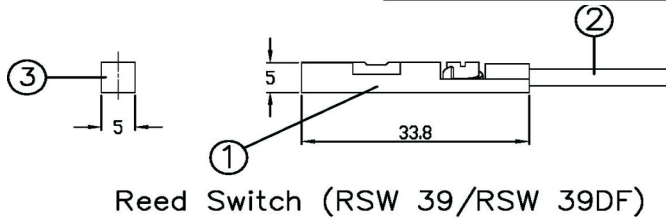
Magnetic Proximity Reed Switches for Cylinder

Useful as contact less piston position indicator for cylinder.
 Light emitting diode provided as a standard feature for easy indication.
 Incorporates integral protective circuit for longer life.
 Ideal for integration of multiple electropneumatic function.
 Suitable for any voltage upto 240 V Ac/ Dc.

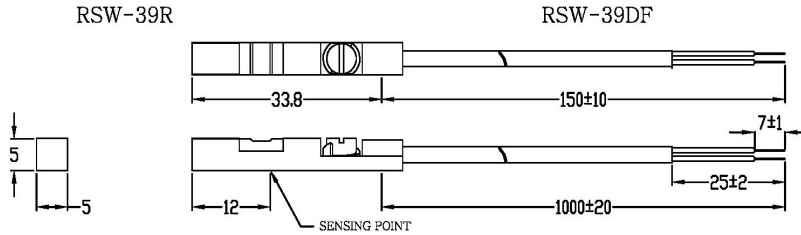


PART LIST

No.	Descriptions	Qty
1	Light emitting diode	1
2	Two core cable	1
3	Housing	1



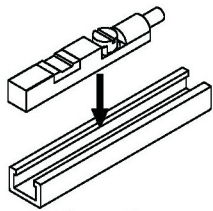
SPECIFICATION



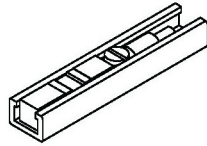
CHARACTERISTIC TYPE	RSW 39	RSW 39DF
SWITCHING LOGIC	SPST Normally Open	Normally Open
SENSOR TYPE	Reed Switch	2 Wire Solid State
OPERATING VOLTAGE	5~240V Dc/Ac	10~28V Dc
SWITCHING CURRENT	100mA Max	50mA Max
SWITCHING RATING	10 W Max	1.4 W Max
CURRENT CUNSUPTION	—	40 µA Max @ 24V
VOLTAGE DROP	2.5V Max. @ 100mA Dc	2.65V Max @ 50mA Dc
LEAKAGE CURRENT	—	90 µA Max @ 28V
INDICATOR	Red LED	Red LED
CABLE	2.8Ø, 2C, Oil Resistance PUR	2.8Ø, 2C, Oil Resistance PUR
SENSITIVITY	35~45 GAUSS	25~750 GAUSS
SWITCHING FREQUENCY	200 Hz	1K Hz
TEMPERATURE RANGE	~10~70° C	~10~70° C
SHOCK	30 G	50 G
VIBRATION	9 G	9 G
ENCLOSURE CLASSIFICATION	IP 68 (EN60529)	IP 68 (EN60529)
PROTECTION CIRCUIT	----	Surge Supression
CE Certification No.	No. E8 04 07 53334 001	Applied
3C Certificate No.	No. : 2004010305127433	
CNEX Certificate No.	CNEx05.1366X(ExnCIICT6)	Applied
Connect Diagram		

Note:

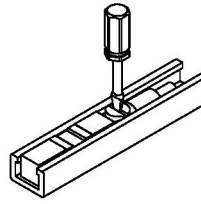
- 1) Please ensure that connected electrical load and the switching current are within specified limits
- 2) Excess of any parameter can cause failure of reed switch.
- 3) Reed Switch to be connected directly to PLC (controller). Not to be connected through relay.



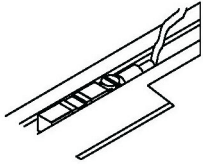
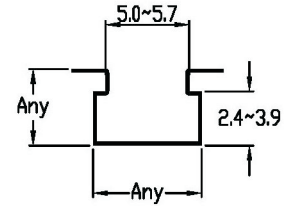
Step 1



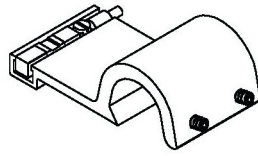
Step 2



Step 3



ISO Profile
Cylinder



Tie Rod
Cylinder

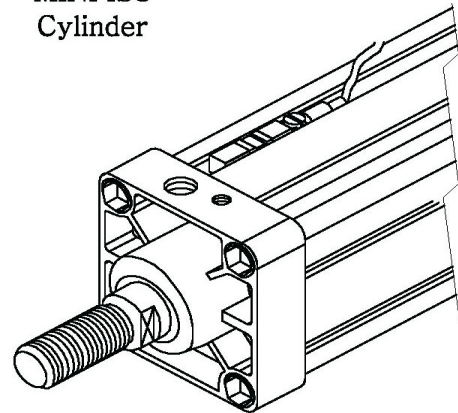


MINI ISO
Cylinder

ISO PROFILE CYLINDERS

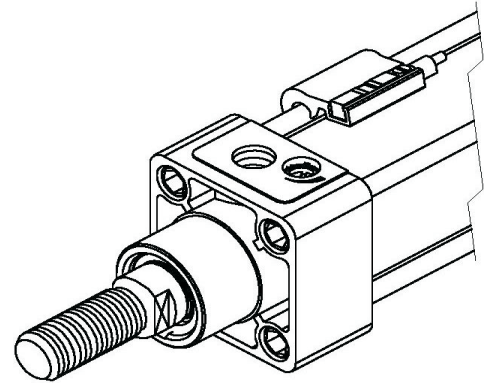
Drop in the sensor into barrel slot.
No brackets required.

CYLINDER BORE (SIZE) ISO SERIES	BRACKET PART NO.
32, 40	NO BRACKET REQUIRED
50, 63	
80, 100	



TIE ROD CYLINDERS (ISO & INCH SERIES)

CYLINDER BORE (SIZE) ISO SERIES	CYLINDER BORE (SIZE) INCH SERIES	BRACKET PART NO.
32, 40	1 - 1/2"	RSBKT3240
50, 63	2-1/4", 2-1/2"	RSBKT5063
80, 100	3", 4"	RSBKT80A0
125	5"	RSBKT125
160, 200	6", 8"	RSBKT160



MINI ISO CYLINDERS

CYLINDER BORE (SIZE) ISO SERIES	BRACKET PART NO.
12, 16, 20, 25	RSBKT1225

