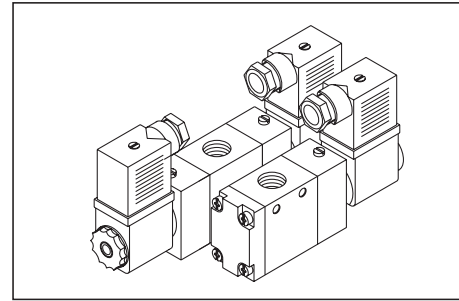


## G 1/8 - 3/2 Exel Solenoid Valve

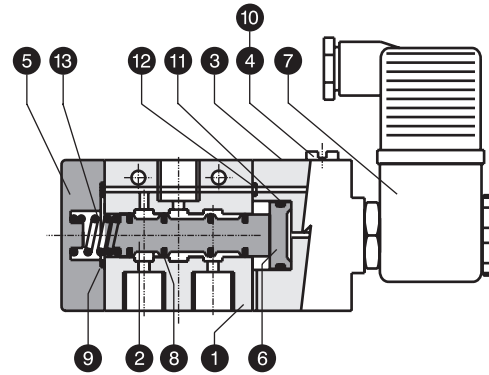
- Compact design.
- Low friction dynamic seals.
- Air spring assisted design for quick changeover.
- Manual Override as a standard feature.



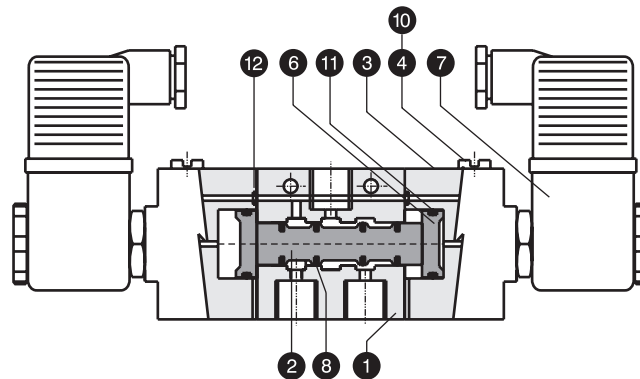
### PART LIST

NO.	DESCRIPTION	QTY.	
		Single Sol.	Double Sol.
1	Valve body	1	1
2	Spool	1	1
3	Solenoid housing	1	2
4	Manual override pin	1	2
5	Air spring housing	1	-
6	Piston	1	2
7	Coil with plug in connector	1	2
8	Spool seal	4	4
9	Gasket	1	-
10	M.O. pin 'O' ring	1	2
11	Piston seal	1	2
12	'O' Ring ( Sole. Hsg. )	1	2
13	Spring	1	-

Seal kit consists of items ( 2+8 ), 9, 10, 11 & 12



3/2 Single solenoid Exel valve

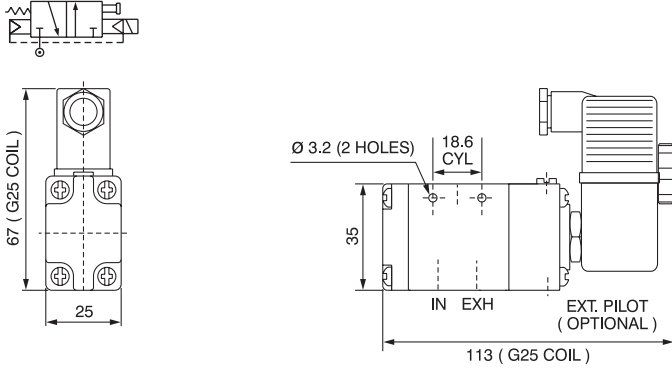


3/2 Double solenoid Exel valve

### COIL SPECIFICATIONS

Type	Valve with (G25 - 4W ) coil
Tube Assy. construction	SS Plunger with NBR seals, SS magnet core assembled with brass adaptor.
Coil voltages	AC : 110, 240 V 50 Hz DC : 24V ( Other voltages on request. AC : 12, 24, 48V 50 Hz DC : 48, 110V )
Voltage range	± 10%
Power consumption	AC : Pull : 7.5 VA, Hold : 6 VA DC : 4 WATT
Duty cycle	100%
Class of insulation	F ( Winding wire of class 'H' insulation )
Degree of protection	IP 65 - IS 2147
Cable connector	PG 9

### G 1/8 - 3/2 SINGLE SOLENOID EXEL VALVE



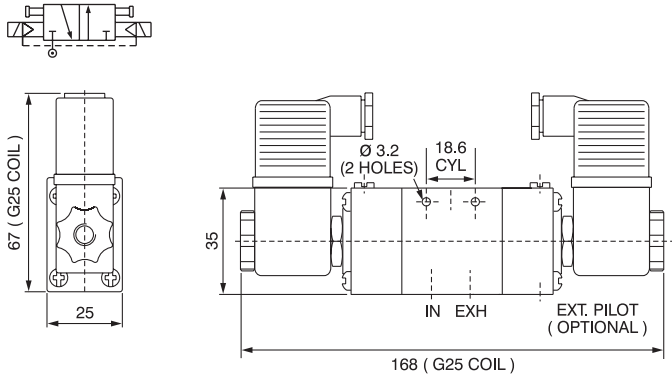
### PART NOS.

Type	Part No.
1/8"-3/2 Single Solenoid Exel Valve	A 33013
Seal Kit for 3/2 Single Solenoid Exel Valve	SK 33013

### SPECIFICATIONS

Medium	Compressed air, Filtered
Design	Spool type with spring & air spring return
Working pressure	1.5 - 8 kg/sq.cm
Ambient / fluid temp.	- 10° C to 55° C
Cv ( Nominal flow )	0.7 ( 700 lit/min. )
Response time at 5 bar	ON time : 10 m.s. OFF time : 20 m.s.
Manual override	Screw type, detent
Optional features	PIC with light indicator External pilot actuation
Materials	Body & Spool : Aluminium Seals : NBR

### G 1/8 - 3/2 DOUBLE SOLENOID EXEL VALVE



### PART NOS.

Type	Part No.
1/8"-3/2 Double Solenoid Exel Valve	A 33023
Seal Kit for 3/2 Double Solenoid Exel Valve	SK 33023

### SPECIFICATIONS

Medium	Compressed air, Filtered
Design	Spool type
Working pressure	1 - 8 kg/sq.cm
Ambient / fluid temp.	- 10° C to 55° C
Cv ( Nominal flow )	0.7 ( 700 lit/min. )
Response time at 5 bar	10 m.s.
Manual override	Screw type, detent
Optional features	PIC with light indicator External pilot actuation
Materials	Body & Spool : Aluminium Seals : NBR