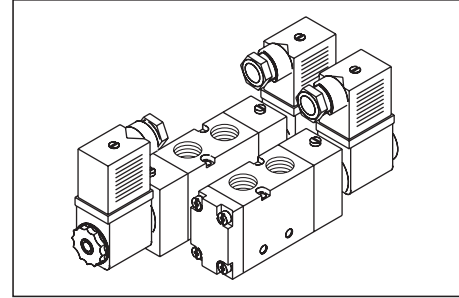


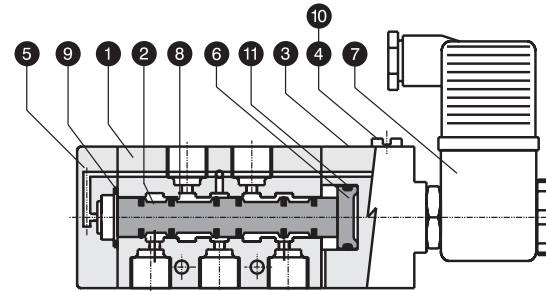
1/4" - 1/8" - 5/2 Exel Solenoid Valve

- Compact design.
- 1/4" inlet and cylinder ports (All 1/8" ports optional).
- Air spring design for quick changeover.
- Manual override as a standard feature.
- Facility of gang manifolding.

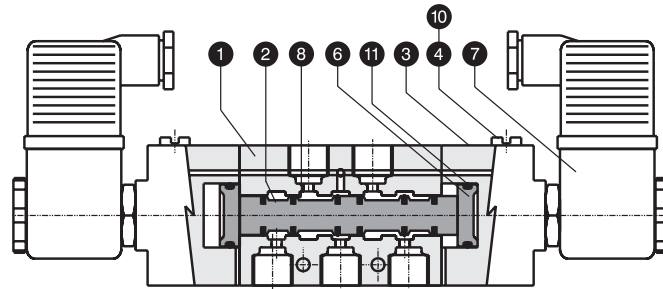


PART LIST

NO.	DESCRIPTION	QTY.	
		Single Sol.	Double Sol.
1	Valve Body	1	1
2	Spool	1	1
3	Solenoid Housing	1	2
4	Manual Override	1	2
5	Air Spring Housing	1	-
6	Piston	1	2
7	Coil with plug in connector	1	2
8	Spool seal	6	6
9	Gasket	1	-
10	M.O. O Ring	1	2
11	Piston Seal	1	2



Single solenoid valve



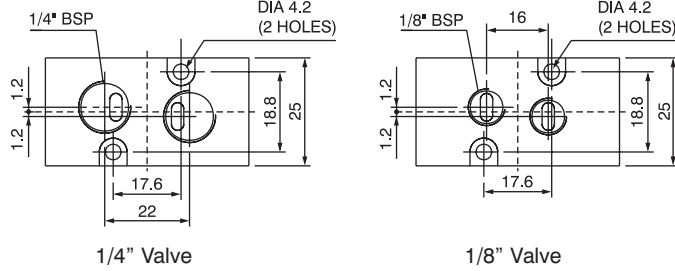
Double solenoid valve

Seal kit SK 33004 consists of items 9, (2+8), 10 & 11.

COIL SPECIFICATIONS

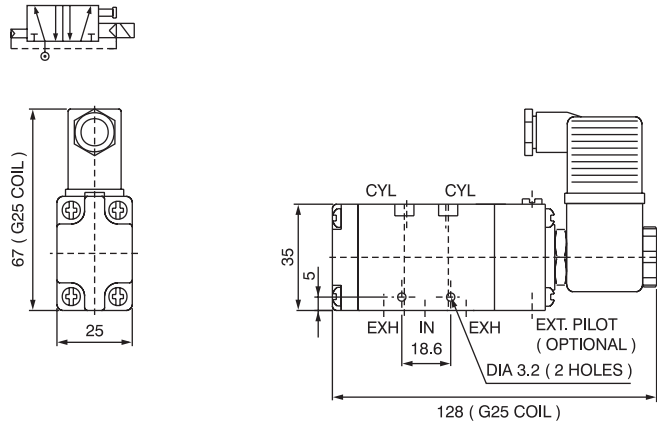
TYPE	Valve with (G25 - 4W) coil	
Tube Assy. Construction	SS Plunger with NBR seals, SS magnet core assembled with brass adaptor	
Coil Voltages	AC : 110, 240 V 50 Hz DC : 24V	(Other voltages on request AC : 12, 24, 48 V 50 Hz DC : 48, 110 V)
Voltage Range	± 10%	
Power Consumption	AC : Pull : 7.5 VA, Hold : 6 VA DC : 4 WATT	
Duty cycle	100%	
Class of Insulation	F (Winding wire of class 'H' insulation)	
Degree of protection	IP 65 - IS 2147	
Cable connector	PG. 9	

PORT CONFIGURATION



Exel valve is offered in two port configurations.
 1) Inlet , cylinder ports of 1/4", exhaust ports of 1/8".
 2) All ports of 1/8".

5/2 SINGLE SOLENOID EXEL VALVE



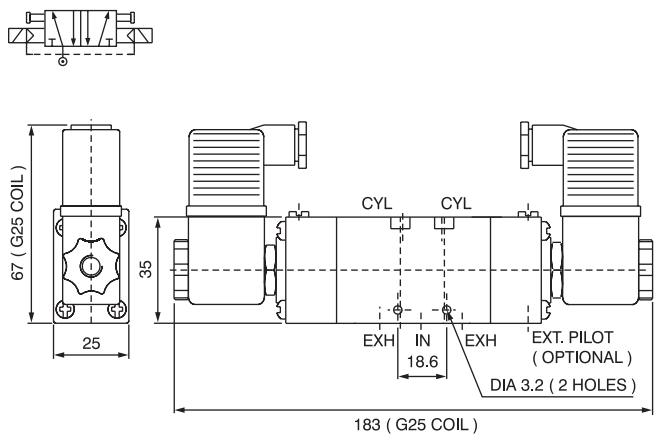
PART NOS.

Type	Single Solenoid
1/4" valve	A34014
1/8" valve	A33014
Seal Kit	SK 33004

SPECIFICATIONS :

Medium	Compressed Air, Filtered
Design	Spool type with air spring return
Working pressure	1.5 - 8 kg/sq.cm
Ambient / fluid temp.	- 10 to 55° C
Cv (Nominal flow)	0.7 (700 lit. / min)
Response time at 5 bar	ON time : 10 m.s OFF time : 20 m.s
Manual Override	Screw type, detent
Optional features	PIC with light indicator. External pilot actuation.
Materials	Body & Spool : Aluminium Seals : NBR

5/2 DOUBLE SOLENOID EXEL VALVE



PART NOS.

Type	Double Solenoid
1/4" valve	A34024
1/8" valve	A33024
Seal Kit	SK 33004

SPECIFICATIONS :

Medium	Compressed Air, Filtered & Lubricated
Design	Spool type
Working pressure	1- 8 kg/sq.cm
Ambient / fluid temp.	- 10 to 55° C
Cv (Nominal flow)	0.7 (700 lit. / min.)
Response time at 5 bar	10 m.s
Manual Override	Screw type, detent
Optional features	PIC with light indicator. External pilot actuation.
Materials	Body & Spool : Aluminium Seals : NBR