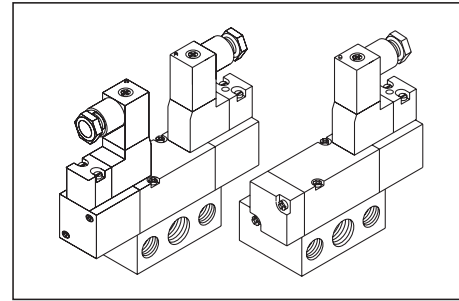


## G 1/8 - 5/2 Solenoid Operated Sub Base Exel Valves

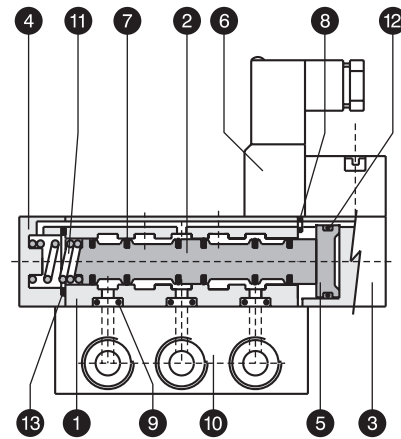
- Compact Design
- Low friction dynamic seals for better performance
- Available with 2.5 W coil
- Facility of Gang manifolding
- Manual override as a standard feature



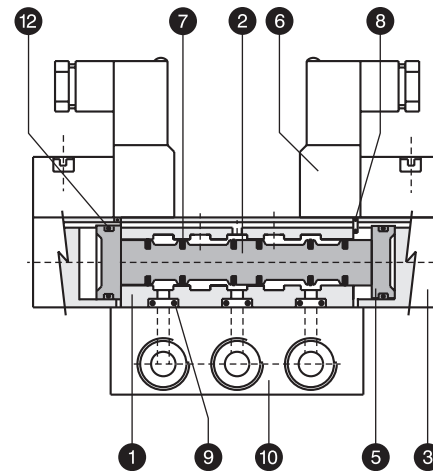
### PART LIST

NO.	DESCRIPTION	QTY.	
		Single Solenoid	Double Solenoid
1	Valve body	1	1
2	Spool	1	1
3	Solenoid Housing	1	2
4	Air Spring Housing	1	-
5	Piston	1	2
6	Coil with plug in connector	1	2
7	Spool Seal	6	6
8	Body 'O' ring	1	2
9	Sub base 'O' ring	5	5
10	Sub base plate	1	1
11	Spring	1	-
12	Piston 'O' ring	1	2
13	Gasket	1	-

Seal kit consists of items ( 2+7 ), 8, 9, 12 & 13



5/2 Single Solenoid Sub Base Exel Valve



5/2 Double Solenoid Sub Base Exel Valve

### COIL SPECIFICATIONS

TYPE	Valve with 2.5W coil ( G15 coil )	
Construction	SS Plunger with NBR seals, SS magnet core assembled with brass adaptor Pilot valve is intergral with the coil	
Coil Voltages	AC : 24,110, 230 V 50 Hz	DC: 12. 24 V
Voltage Range	± 10%	
Power Consumption	AC : 3 VA	DC : 2.5 WATT
Duty cycle	100%	
Class of Insulation	F	
Degree of protection	IP 65 - IS 2147	
Cable connector	PG 7 - DIN 43650	

