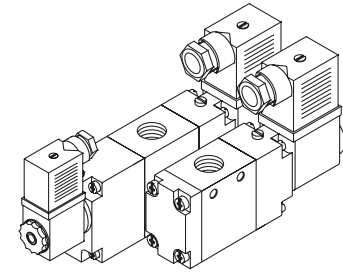


G 1/4 - 3/2 Solenoid Operated High Flow Valve

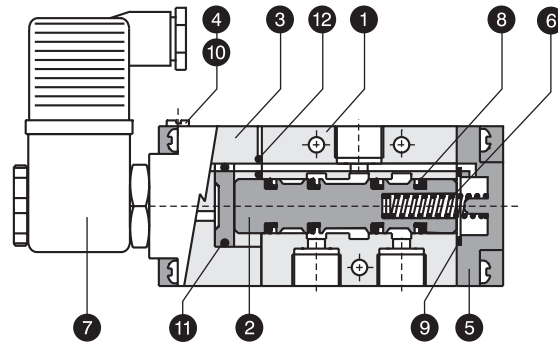
- Streamlined construction.
- Contoured dynamic seals ensures longer life.
- Higher flow capacities.
- Manual override as a standard feature.
- Available with G 25 (4W) coil.



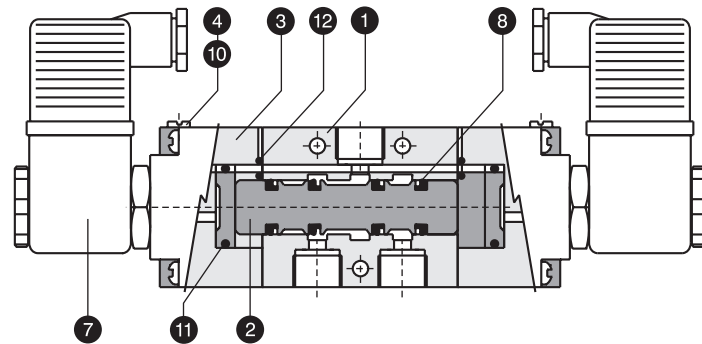
PART LIST

NO.	DESCRIPTION	QTY.	
		Single Sol.	Double Sol.
1	Valve body	1	1
2	Spool	1	1
3	Solenoid housing	1	2
4	Manual override pin	1	2
5	Spring housing	1	-
6	Spring	1	-
7	Coil with plug in connector	1	2
8	Spool seal	4	4
9	Gasket	1	-
10	M.O. 'O' ring	1	2
11	Piston 'O' ring	1	2
12	Solenoid housing 'O' ring	1	2

Seal kit consists of items (2+8), 9, 10, 11 & 12



3/2 Single solenoid High flow valve

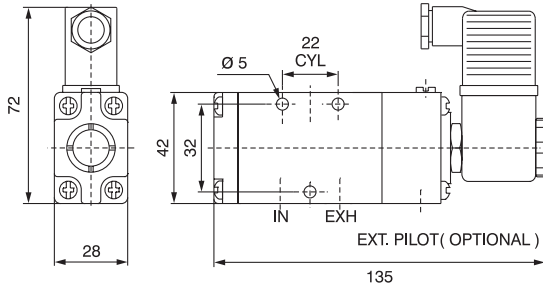
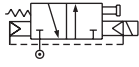


3/2 Double solenoid High flow valve

COIL SPECIFICATIONS

Type	Valve with G25 coil
Tube Assy. construction	SS Plunger with NBR seals, SS magnet core assembled with brass adaptor.
Coil voltages	AC : 24, 48, 110, 240V 50 Hz DC : 12, 24, 48V (Other voltages on request. AC : 12, 24, 48V 50 Hz DC : 48, 110V)
Voltage range	± 10%
Power consumption	AC : Pull : 7.5 VA, Hold : 5 VA DC : 3 WATT
Duty cycle	100%
Class of insulation	F (Winding wire of class 'H' insulation)
Degree of protection	IP 65 - IS 2147
Cable connector	PG 9

G 1/8 - 3/2 SINGLE SOLENOID HIGH FLOW VALVE



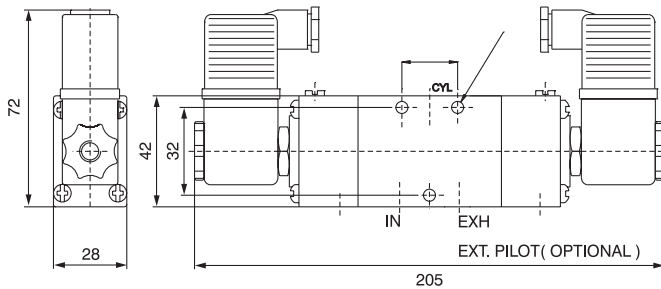
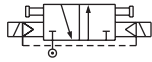
PART NOS.

Type	Part No.
1/4"-3/2 Single Solenoid High Flow Valve	A 43013
Seal Kit for 3/2 Single Solenoid High Flow Valve	SK 43003

SPECIFICATIONS

Medium	Compressed air, Filtered
Design	Spool type with air spring return
Working pressure	1.8 - 10 kg/sq.cm
Ambient / fluid temp.	- 10° C to 55° C
Cv (Nominal flow)	1.3 (1300 lit/min.)
Response time at 5 bar	ON time : 10 m.s. OFF time : 35 m.s.
Manual override	Screw type, detent
Optional features	PIC with light indicator External pilot actuation
Materials	Body & Spool : Aluminium Seals : NBR

G 1/8 - 3/2 DOUBLE SOLENOID HIGH FLOW VALVE



PART NOS.

Type	Part No.
1/4"-3/2 Single Solenoid High Flow Valve (G25 - 4W)	A 43023
Seal Kit for 3/2 Double Solenoid High Flow Valve	SK 43003

SPECIFICATIONS

Medium	Compressed air, Filtered
Design	Spool type
Working pressure	1 - 8 kg/sq.cm
Ambient / fluid temp.	- 10° C to 55° C
Cv (Nominal flow)	0.7 (700 lit/min.)
Response time at 5 bar	10 m.s.
Manual override	Screw type, detent
Optional features	PIC with light indicator External pilot actuation
Materials	Body & Spool : Aluminium Seals : NBR