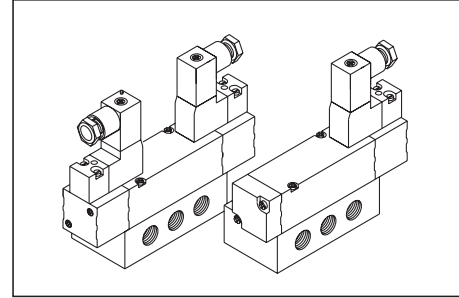


G 1/4 - 5/2 Solenoid Operated Sub Base (Compact Series) High Flow Valves

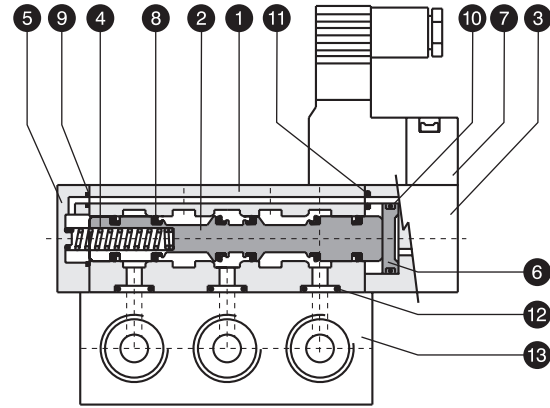
- Streamlined construction.
- Low friction dynamic seals for better performance.
- Option of gang manifolding upto 6 nos. of valves.



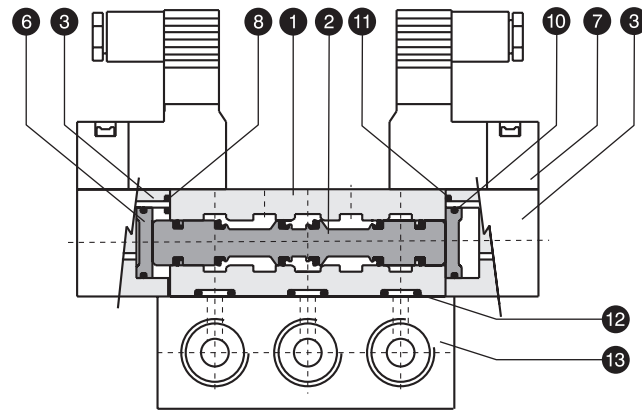
PART LIST

NO.	DESCRIPTION	QTY.	
		Single Solenoid	Double Solenoid
1	Valve body	1	1
2	Spool	1	1
3	Solenoid Housing	1	2
4	Spring	1	-
5	Air Spring Housing	1	-
6	Piston	1	2
7	Coil with plug in connector	1	2
8	Spool Seal	6	6
9	Gasket	1	-
10	Piston Seal	1	2
11	'O' Ring for Sole. Hsg.	1	2
12	Sub base 'O' ring	5	5
13	Sub base Plate	1	1

Seal kit consists of items (2+8), 9, 10, 11 & 12



5/2 Single Solenoid Sub Base High Flow Valve

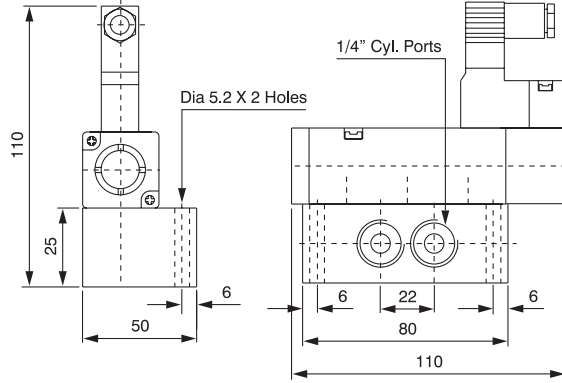
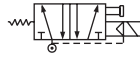


5/2 Double Solenoid Sub Base High Flow Valve

COIL SPECIFICATIONS

Type	Valve with G15 coil
Tube Assy. Construction	3/2 NC Sub-base valve with coil assly. Orifice = 1.1 mm, Flow = 24 l/min.
Coil Voltages	AC : 24, 110, 230 V 50 Hz DC : 12, 24 V
Voltage Range	± 10%
Power Consumption	AC : 3 VA DC : 2.5 WATT
Duty cycle	100%
Class of Insulation	F (Winding wire of class 'H' insulation)
Degree of protection	IP 65 - IS 2147
Cable connector	PG 7 - DIN 43650

G 1/4 - 5/2 SINGLE SOLENOID SUB BASE HIGH FLOW VALVE (COMPACT)



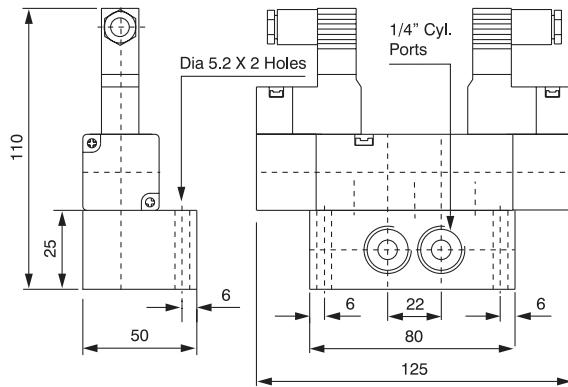
PART NOS.

Type	Valve	Seal Kit
G1/4 5/2 Single Solenoid Sub Base High Flow Valve	D 43214	SK 43214
G1/4 5/2 Double Solenoid Sub Base High Flow Valve	D 43224	SK 43224

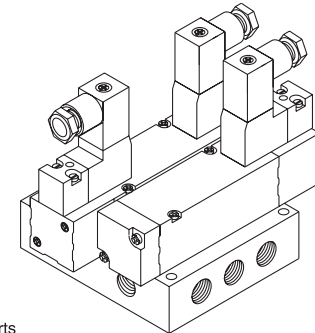
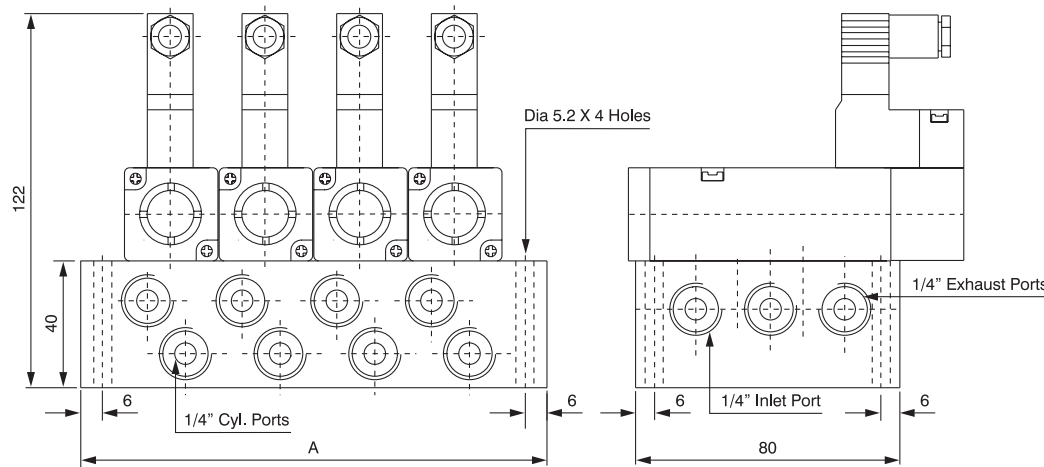
SPECIFICATIONS

	Single Solenoid	Double Solenoid
Medium	Compressed Air, Filtered	
Design	Spool type with air spring return	
Working pressure	1.5 - 10 Kg/sq.cm	
Ambient / fluid temp.	- 10° C to 55° C	
Cv (Nominal flow)	1.3 (1300 lit. / min)	
Response time at 5 bar	ON time - 10 m.s. OFF time - 30 m.s.	
Manual Override	Push type	
Optional features	PIC with light indicator External Pilot Actuation	
Materials	Body & Spool : Aluminium Seals : NBR	

G 1/4 - 5/2 DOUBLE SOLENOID SUB BASE HIGH FLOW VALVE (COMPACT)



GANG MAINFOLD - 5/2 SUB BASE VALVE (COMPACT)



Ordering Information

For ordering gang manifold of 3 valves namely 2 nos. of 1/4" Single Solenoid Sub Base High Flow Valve and 1 no. of 1/4" Double Solenoid Sub Base High Flow Valve following is the ordering key.

Manifold : 14 PM-3
Valve : D 43214 2 nos.
Valve : D 43224 1 no.

Number of Valves	2	3	4	5	6
Dimension 'A'	83.5	114	144.5	175	205.5
Manifold Part No.	14PM-2	14PM-3	14PM-4	14PM-5	14PM-6

Note : 1) Max. no. of valves on a single manifold block is 6 nos.
2) Valves beyond 6 nos. offered in combination of manifolds (consult Engg. Dept)