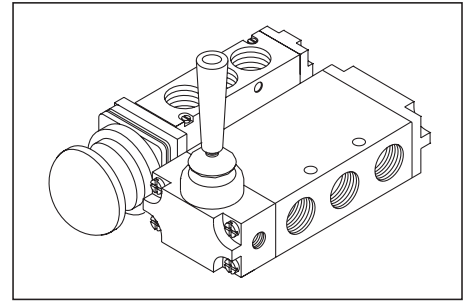


## G 3/8, 1/2 - Manually Operated High Flow Valves

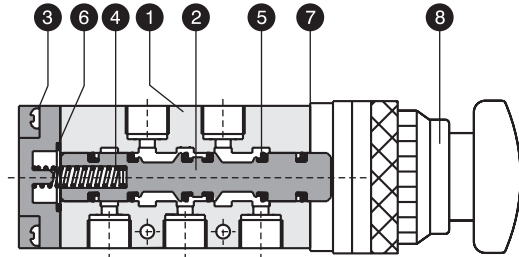
- Streamlined Construction.
- Contoured dynamic seals ensure longer life.
- Higher Flow Capacities.



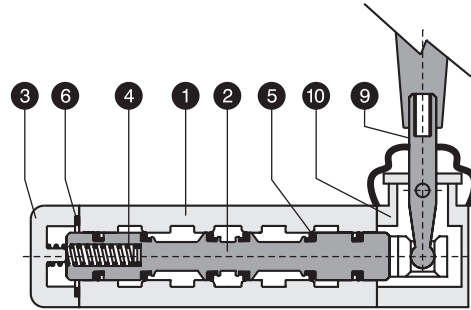
### PART LIST - 5/2 WAY VALVES

NO.	DESCRIPTION	QTY.	
		Hand Lever	Mushroom Button
1	Valve body	1	1
2	Spool	1	1
3	Spring housing	1	1
4	Spring	1	1
5	Spool seal	6	6
6	Gasket	1	1
7	Mounting plate	-	1
8	Mushroom type knob	-	1
9	Lever	1	-
10	Hand lever housing	1	-

Seal kit consists of items ( 2+5 ), 6.



5/2 Mushroom Button High Flow Valve

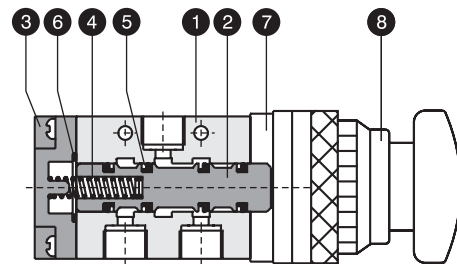


5/3, 5/2 Hand lever High Flow Valve

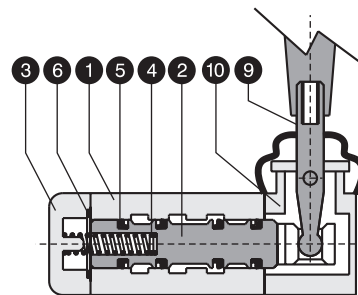
### PART LIST - 3/2 WAY VALVES

NO.	DESCRIPTION	QTY.	
		Hand Lever	Mushroom Button
1	Valve body	1	1
2	Spool	1	1
3	Spring housing	1	1
4	Spring	1	1
5	Spool seal	4	4
6	Gasket	1	1
7	Mounting plate	-	1
8	Mushroom type knob	-	1
9	Lever	1	-
10	Hand lever housing	1	-

Seal kit consists of items ( 2+5 ) & 6.

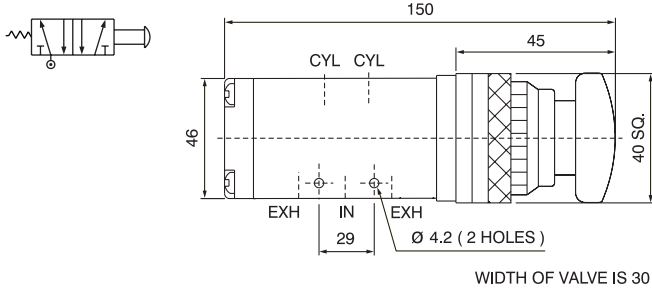


3/2 Mushroom Button High Flow Valve

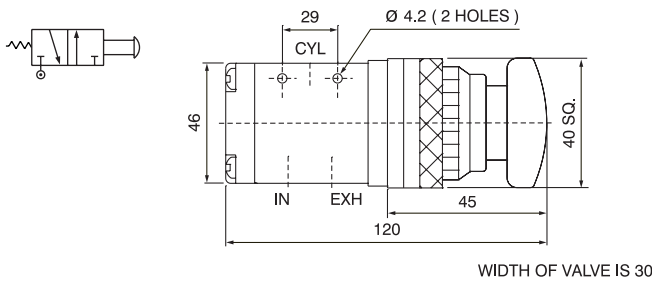


3/2 Hand lever High Flow Valve

**G3/8, G1/2, 5/2 MUSHROOM BUTTON HIGH FLOW VALVE**

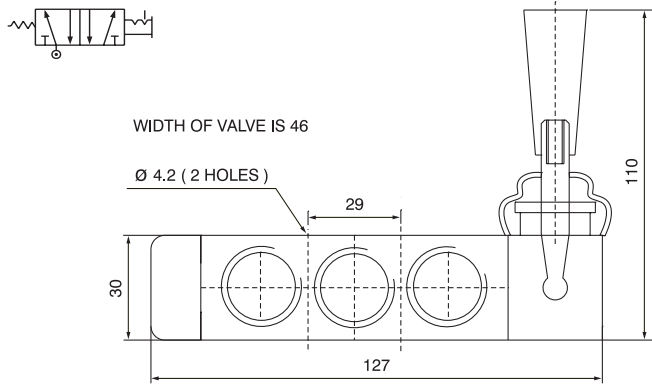


5/2 Mushroom Button High Flow Valve

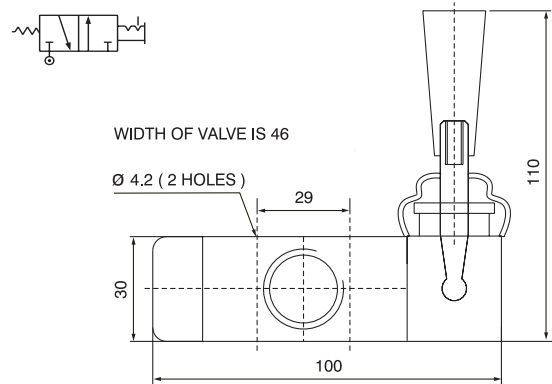


3/2 Mushroom Button High Flow Valve

**G3/8, G1/2 - 3/2, 5/2 & 5/3 HAND LEVER HIGH FLOW VALVE**



5/3, 5/2 Hand lever High Flow Valve



3/2 Hand lever High Flow Valve

**PART NOS.**

Type	Side Ported Valve	Seal Kit
3/8" 5/2 Mushroom button valve	83004 MS	SK 83004
3/8" 3/2 Mushroom button valve	83003 MS	SK 83003
1/2" 5/2 Mushroom button valve	93004 MS	SK 93004
1/2" 3/2 Mushroom button valve	93003 MS	SK 93003

**SPECIFICATIONS**

Medium	Compressed air, Filtered
Design	Spool type with Air spring return
Working pressure	1.5 - 10 Bar
Ambient / fluid temp.	- 10° C to 55° C
Cv ( Nominal flow )	2.2 ( 2200 lit/min.)
Materials	Body & Spool : Aluminium Seals : NBR

**PART NOS.**

Type	Side Ported Valve	Seal Kit
3/8" 5/2 Hand lever valve	83004 L	SK 83004 L
3/8" 5/3 Hand lever valve	83004 L*	SK 83004 L*
3/8" 3/2 Hand lever valve	83203 L	SK 83203 L
1/2" 5/2 Hand lever valve	93004 L	SK 93004
1/2" 5/3 Hand lever valve	93004 L*	SK 93004
1/2" 3/2 Hand lever valve	93203 L	SK 93003

\*Add appropriate suffix of X - Neutral, Y - Negative, Z - Positive

**SPECIFICATIONS**

Medium	Compressed air, Filtered
Design	Handlever actuated 3 position self centered
Working pressure	1.5 - 10 Bar
Ambient / fluid temp.	- 10° C to 55° C
Cv ( Nominal flow )	2.2 ( 2200 lit/min.)
Materials	Body & Spool : Aluminium Seals : NBR