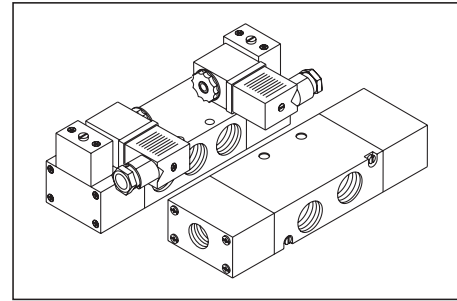


G 3/8, G 1/2-5/3 Solenoid & Pilot Operated High Flow Valves

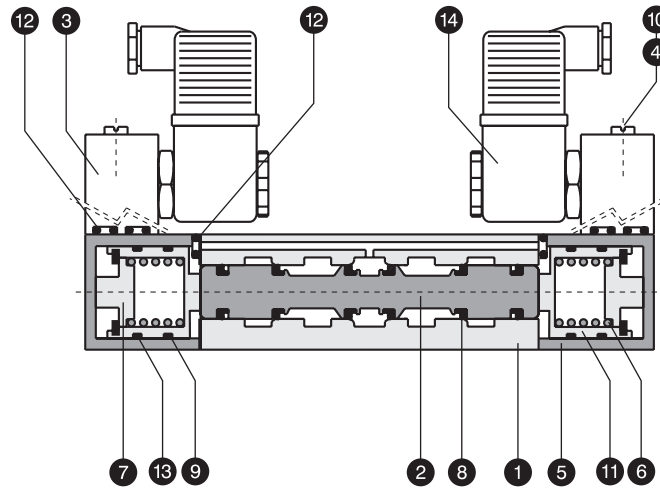
- Available in side port design in G 3/8, G 1/2 sizes.
- Compact dynamic seal design results in higher flow passages.
- Central position is provided with three options of Neutral, Positive & Negative to build appropriate logic circuit.
- Suitable for holding of double acting cylinder within its stroke range.



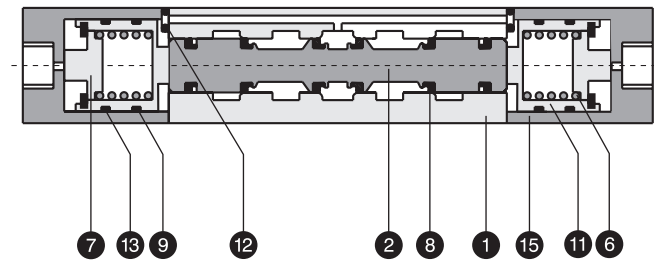
PART LIST

NO.	DESCRIPTION	QTY.	
		Solenoid	Pilot
1	Valve body	1	1
2	Spool	1	1
3	Solenoid Housing	2	-
4	Manual override pin	2	-
5	Intermediate housing	2	-
6	Spring	2	2
7	Spring guide	2	2
8	Spool Seal	6	6
9	Piston U cap	2	2
10	M. O. 'O' ring	2	-
11	Piston	2	2
12	Solenoid hsg. 'O' ring	4+4	4
13	Piston wear ring	2	2
14	Coil with plug in connector	2	2
15	Pilot housing	-	2

Seal kit consists of items (2+8), 9, 10, 12 & 13



5/3 Double Solenoid Valve

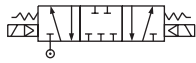


5/3 Double Pilot Valve

COIL SPECIFICATIONS

Type	Valve with G25 coil
Tube Assy. Construction	SS plunger with NBR seals, SS magnet core assembled with brass adaptor
Coil Voltages	AC : 24, 48, 110, 240 V 50 Hz (Other voltages on request) DC : 12, 24, 48 V
Voltage Range	± 10%
Power Consumption	AC : Pull 7.5 VA, Hold : 5 VA DC : 3 Watt
Duty cycle	100%
Class of Insulation	F (Winding wire of class 'H' insulation)
Degree of protection	IP 65 - IS 2147
Cable connector	PG 9 - DIN 43650

G 3/8, G 1/2-5/3 DOUBLE SOLENOID VALVE



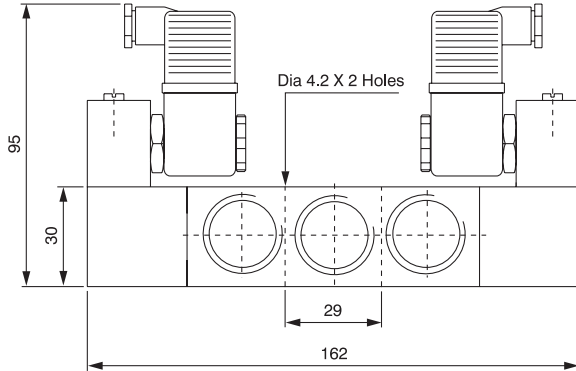
Neutral All ports blocked in non-actuated position



Negative Cylinder air exhausted in non-actuated position



Positive inlet air connected to both cylinder ports in non-actuated position



PART NOS.

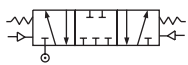
Type	Part No.
G 3/8 5/3 Double Solenoid valve	A83024*
G 1/2 5/3 Double Solenoid valve	A93024*
Seal kit for 5/3 Double Solenoid valve	SK 93024*

*Add appropriate suffix of X - Neutral, Y - Negative, Z - Positive

SPECIFICATIONS

Medium	Compressed air, filtered
Design	Spool type with air spring return
Working pressure	1.8 - 10 kg/sq.cm
Ambient / fluid temp.	- 10° C to 55° C
Cv (Nominal flow)	2.2 (2200 lit /min.)
Response time at 5 bar	ON time : 10 m.s. OFF time : 30 m.s.
Manual override	Screw type, detent
Optional features	PIC with light indicator External pilot actuation
Materials	Body & Spool : Aluminium Seals : NBR

G 3/8, G1/2-5/3 DOUBLE PILOT VALVE



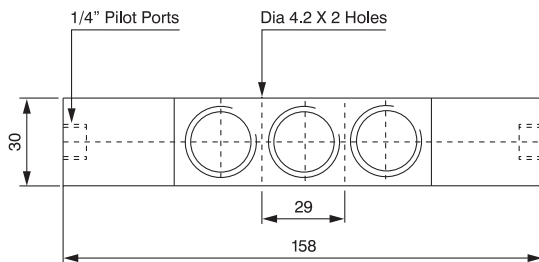
Neutral All ports blocked in non-actuated position



Negative Cylinder air exhausted in non-actuated position



Positive inlet air connected to both cylinder ports in non-actuated position



PART NOS.

Type	Part No.
G 3/8, 5/3 Double Pilot valve	83004PP*
G1/2, 5/3 Double Pilot valve	93004PP*
Seal kit for 5/3 Double Pilot valve	SK43004PP*

*Add appropriate suffix of X - Neutral, Y - Negative, Z - Positive

SPECIFICATIONS

Medium	Compressed air, filtered
Design	Spool type with air spring return
Working pressure	1.8 - 10 kg/sq.cm
Ambient / fluid temp.	- 10° C to 55° C
Cv (Nominal flow)	1.3 (1300 lit /min.)
Response time at 5 bar	ON time : 10 m.s. OFF time : 30 m.s.
Manual override	Screw type, detent
Optional features	PIC with light indicator External pilot actuation
Materials	Body & Spool : Aluminium Seals : NBR