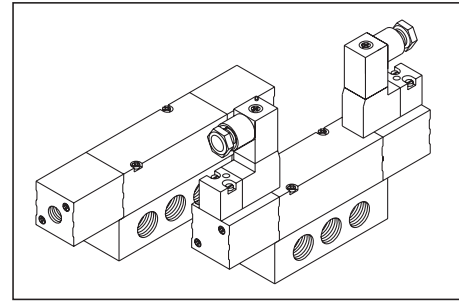


G 3/8, G 1/2-5/3 Sub-base Solenoid & Pilot Operated High Flow Valves

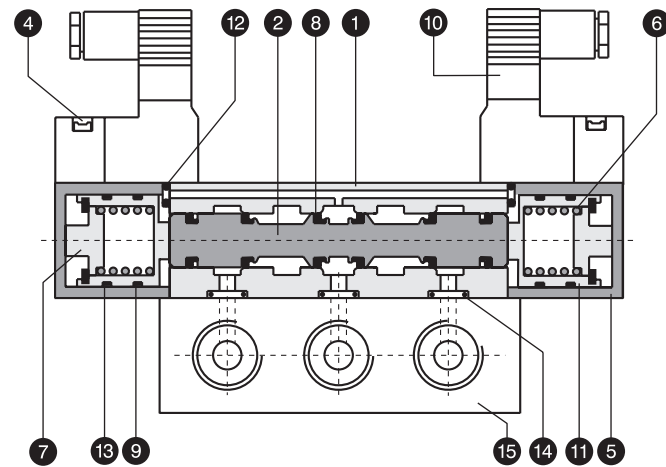
- Available in sub-base design in G 3/8, G 1/2 sizes, and G15 coil.
- Compact dynamic seal design results in higher flow passages.
- Central position is provided with three options of Natural, Positive & Negative to build appropriate logic circuit.
- Suitable for holding of double acting cylinder within its stroke length



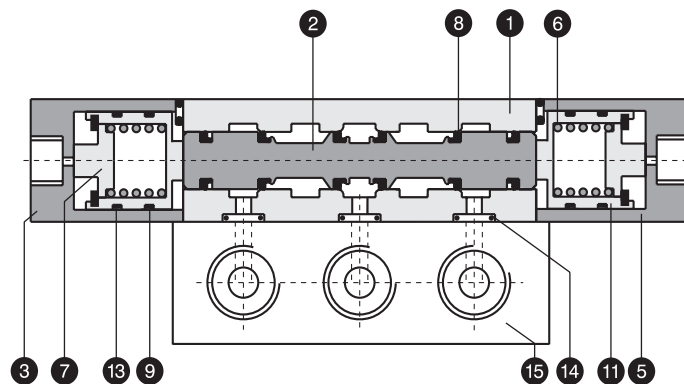
PART LIST

NO.	DESCRIPTION	QTY.	
		Solenoid	Pilot
1	Valve body	1	1
2	Spool	1	1
3	Pilot Housing	-	2
4	Manual override pin	2	-
5	Intermediate housing	2	-
6	Spring	2	2
7	Spring guide	2	2
8	Spool Seal	6	6
9	Piston U cap	2	2
10	Coil with plug in connector	2	-
11	Piston	2	2
12	Solenoid hsg. 'O' ring	2	2
13	Piston wear ring	2	2
14	Sub-base 'O' ring	5	5
15	Base plate	1	1

Seal kit consists of items (2+8), 9,12 & 14



5/3 Double Solenoid Valve

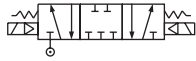


5/3 Double Pilot Valve

COIL SPECIFICATIONS

Type	Valve with G15 coil
Tube Assy. Construction	3/2 NC Sub-base valve with coil assly. Orifice = 1.1mm, Flow = 24 l/min
Coil Voltages	AC : 24, 110, 230 V 50 Hz DC : 12, 24 V
Voltage Range	± 10%
Power Consumption	AC : 3 VA, DC : 2.5 Watt
Duty cycle	100%
Class of Insulation	F (Winding wire of class 'H' insulation)
Degree of protection	IP 65 - IS 2147
Cable connector	PG 7 - DIN 43650

G 3/8, G 1/2-5/3 DOUBLE SOLENOID SUB-BASE VALVE



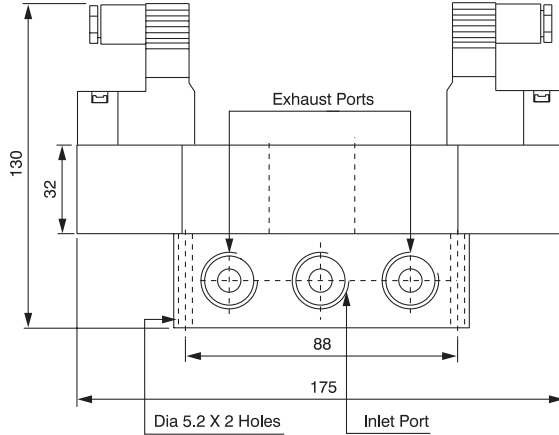
Neutral All ports blocked in non-actuated position



Negative Cylinder air exhausted in non-actuated position



Positive inlet air connected to both cylinder ports in non-actuated position



PART NOS.

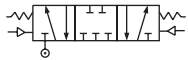
Type	Part No.
G 3/8 5/3 Double Solenoid valve	D83224*
G 1/2 5/3 Double Solenoid valve	D93224*
Seal kit for 5/3 Double Solenoid valve	SK 93224*

*Add appropriate suffix of X - Neutral, Y - Negative, Z - Positive

SPECIFICATIONS

Medium	Compressed air, filtered
Design	Spool type with air spring return
Working pressure	1.8 - 10 kg/sq.cm
Ambient / fluid temp.	- 10° C to 55° C
Cv (Nominal flow)	2.2 (2200 lit /min.)
Response time at 5 bar	ON time : 10 m.s. OFF time : 30 m.s.
Manual override	Push type
Optional features	PIC with light indicator External pilot actuation
Materials	Body & Spool : Aluminium Seals : NBR

G 3/8, G1/2-5/3 DOUBLE PILOT SUB-BASE VALVE



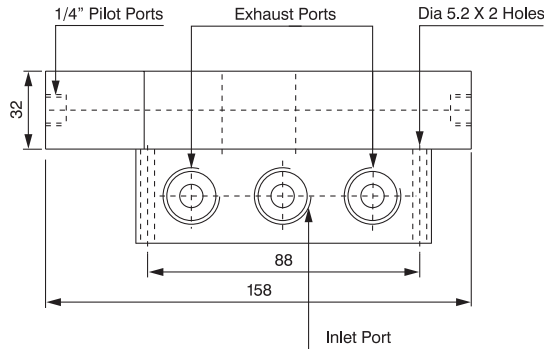
Neutral All ports blocked in non-actuated position



Negative Cylinder air exhausted in non-actuated position



Positive inlet air connected to both cylinder ports in non-actuated position



PART NOS.

Type	Part No.
G 3/8, 5/3 Double Pilot valve	83204PP*
G1/2, 5/3 Double Pilot valve	93204PP*
Seal kit for 5/3 Double Pilot valve	SK93204PP*

*Add appropriate suffix of X - Neutral, Y - Negative, Z - Positive

SPECIFICATIONS

Medium	Compressed air, filtered
Design	Spool type with air spring return
Working pressure	1.8 - 10 kg/sq.cm
Ambient / fluid temp.	- 10° C to 55° C
Cv (Nominal flow)	2.2 (2200 lit /min.)
Response time at 5 bar	ON time : 10 m.s. OFF time : 30 m.s.
Materials	Body & Spool : Aluminium Seals : NBR