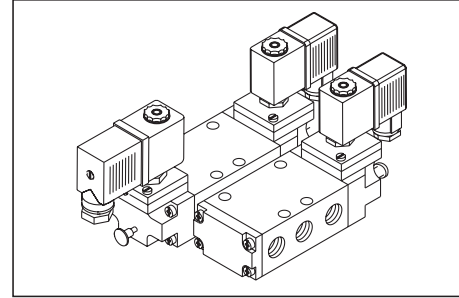


## G 1/4 - 5/2 Modular Spool Solenoid Valves (A53 Series)

- Sturdy and rugged in construction.
- Available in side ported and subbase design.
- Solenoid operated valves available with spring return as standard, external pilot as optional.
- Offered in G25 design coil.
- Facility of gang manifolding for sub base design.



### PART LIST

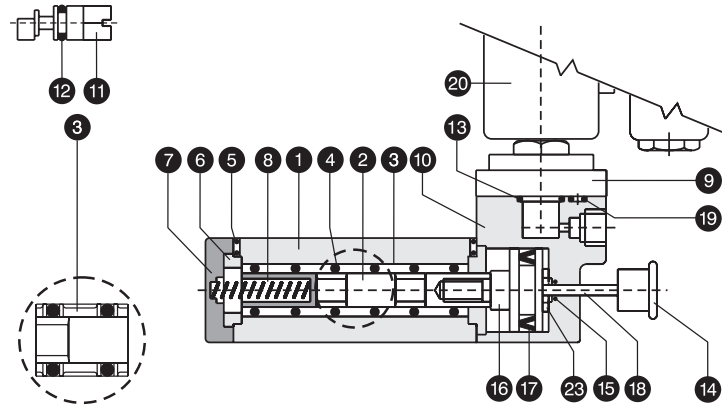
NO.	DESCRIPTION	QTY.	
		Single Sol.	Double Sol.
1	Valve body	1	1
2	Spool	1	1
3	Shell	5	5
4	'O' ring ( Cage )	6	6
5	'O' ring ( Body )	4	4
6	Bush	2	2
7	Spring housing	1	--
8	Spring	1	--
9	Tube Assly.	1	2
10	Solenoid housing	1	2
11	M. O. pin	1	2
12	'O' ring for M. O. pin	1	2
13	'O' ring for tube assly.	1	2
14	Knob for plunger	1	2
15	'O' ring for plunger	1	2
16	Piston	1	2
17	'U' cup for piston	1	2
18	Plunger	1	2
19	'O' ring ( Sol. housing )	1	2
20	Coil assembly ( G 25 )	1	2
21	Sub base 'O' ring*	5	5
22	Sub base plate*	1	1
23	Washer	1	2

Seal kit consists of items 3, 4, 5, 12, 13, 15, 17, 19 & 21 ( \* For sub base valve only. )

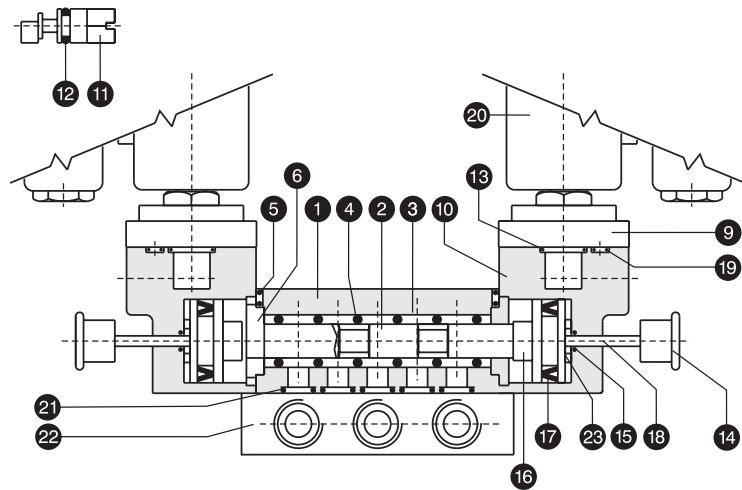
### COIL SPECIFICATIONS

Type	Valve with G25 coil
Tube Assy. construction	SS plunger with NBR seals, SS magnet core assembled with brass adaptor.
Coil voltages	AC : 24, 110, 240 V 50Hz ( Other voltages on request ) DC : 24 V AC : 24 V 50 Hz DC : 110 V
Voltage range	± 10%
Power consumption	AC : Pull 7.5 VA, Hold : 5 VA DC : 3 WATT
Duty cycle	100%
Class of insulation	F ( Winding wire of class 'H' insulation )
Degree of protection	IP 65 - IS 2147
Cable connector	DIN 43650 - PG 9

\* Modular spool valve is also offered with flame-proof coil duly certified by CMRS Dhanbad for grades I, IIA, IIB. Refer data sheet SPA-03 for details.

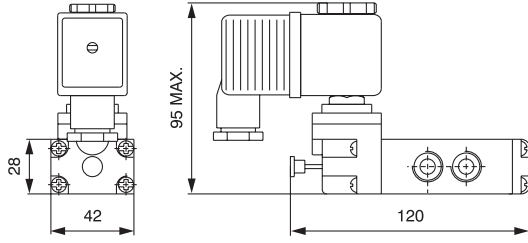
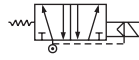


5/2 Single solenoid valve ( Side ported design )

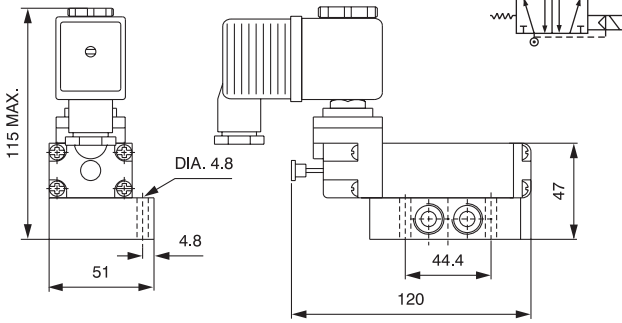


5/2 Double solenoid valve ( Sub base design )

**G 1/4 - 5/2 SINGLE SOLENOID MODULAR SPOOL VALVE**



Side Ported Design



Sub Base Design

**PART NOS.**

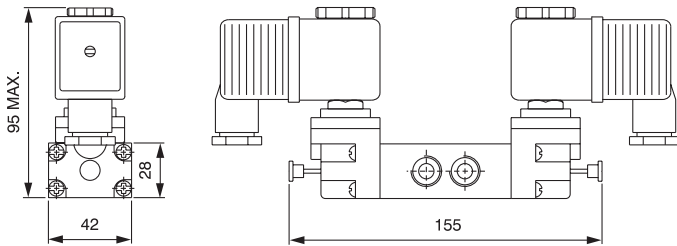
	Side ported valve	Valve with sub base plate	Seal kit for side ported valve	Seal kit for sub base valve
Sol. operated Spring return	A 53014	A 53214*	SK 53014	SK 53214
Base plate for Sub base valve	BS 14			

\*A 53114 for sub base valve without sub base plate

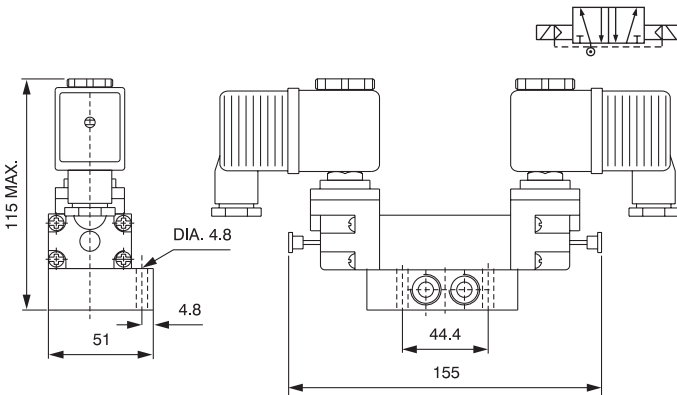
**SPECIFICATIONS**

Medium	Compressed air, Filtered
Design	Spool type with spring return
Working pressure	2.5 - 10 Bar
Ambient / fluid temp.	- 10° C to 85° C
Cv ( Nominal flow )	1.0 ( 1000 lit/min.)
Optional feature	PIC with light indicator External pilot actuation Manual override ( screw type )
Response time at 5 Bar	On time : 10 ms. Off time : 35 ms.
Materials	Body : Aluminium Seals : NBR

**G1/4 - 5/2 DOUBLE SOLENOID MODULAR SPOOL VALVE**



Side Ported Design



Sub Base Design

**PART NOS.**

	Side ported valve	Valve with sub base plate	Seal kit for side ported valve	Seal kit for sub base valve
Sol. operated	A 53024	A 53224	SK 53024	SK 53224
Base plate for Sub base valve	BS 14			

\*A 53124 for sub base valve without sub base plate

**SPECIFICATIONS**

Medium	Compressed air, Filtered
Design	Spool type
Working pressure	1.5 - 10 Bar
Ambient / fluid temp.	- 10° C to 85° C
Cv ( Nominal flow )	1.0 ( 1000 lit/min.)
Optional feature	PIC with light indicator External pilot actuation Manual override ( screw type )
Response time at 5 Bar	On time : 10 ms.
Materials	Body : Aluminium Seals : NBR