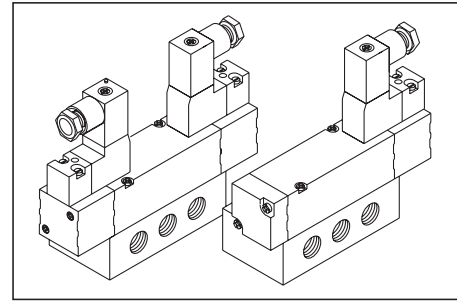


## G 3/8, G1/2-5/2 Solenoid Operated Sub-base Compact Series Spool valves

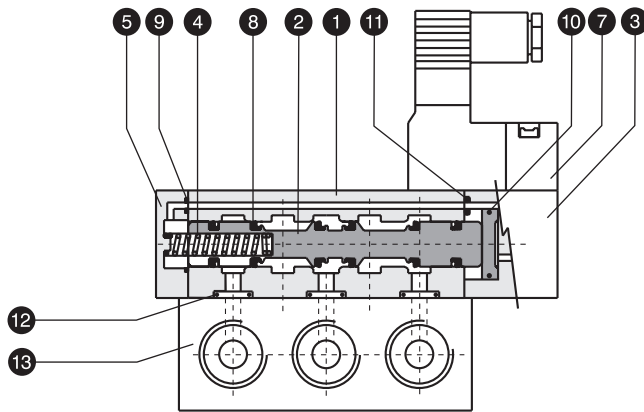
- Streamlined construction.
- Low friction dynamic seals for better performance.
- Option of gang manifolding upto 6 nos. of valves.



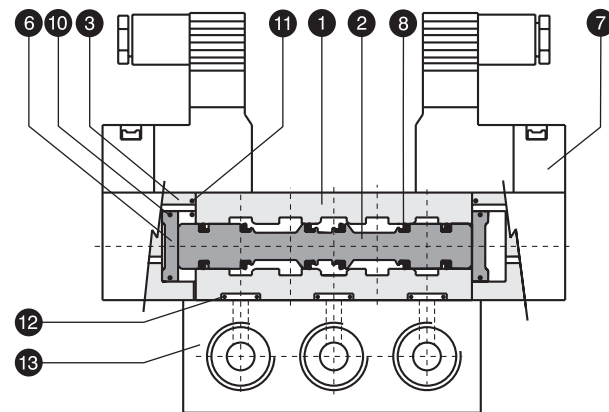
### PART LIST

NO.	DESCRIPTION	QTY.	
		Single Solenoid	Double Solenoid
1	Valve body	1	1
2	Spool	1	1
3	Solenoid Housing	1	2
4	Spring	1	-
5	Air Spring Housing	1	-
6	Piston	1	2
7	Coil with plug in connector	1	2
8	Spool Seal	6	6
9	Gasket	1	-
10	Piston Seal	1	2
11	'O' Ring for Sole. Hsg.	1	2
12	Sub base 'O' ring	5	5
13	Sub base Plate	1	1

Seal kit consists of items ( 2+8 ), 9, 10, 11 & 12



5/2 Single Solenoid Sub Base Spool Valve

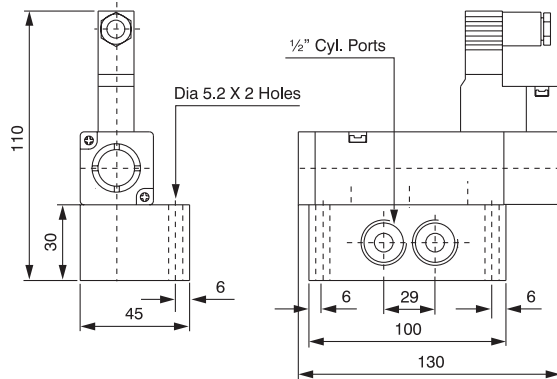
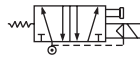


5/2 Double Solenoid Sub Base Spool Valve

### COIL SPECIFICATIONS

Type	Valve with G15 coil
Tube Assy. Construction	3/2 NC Sub-base valve with coil assly. Orifice = 1.1 mm, Flow = 24 l/min.
Coil Voltages	AC : 24, 110, 230 V , 50 Hz    DC : 12, 24 V
Voltage Range	± 10%
Power Consumption	AC : Pull 3 VA    DC : 2.5 WATT
Duty cycle	100%
Class of Insulation	F ( Winding wire of class 'H' insulation )
Degree of protection	IP 65 - IS 2147
Cable connector	PG 7 - DIN 43650

### G 3/8 & G 1/2-5/2 SINGLE SOLENOID SUB-BASE VALVE ( COMPACT )



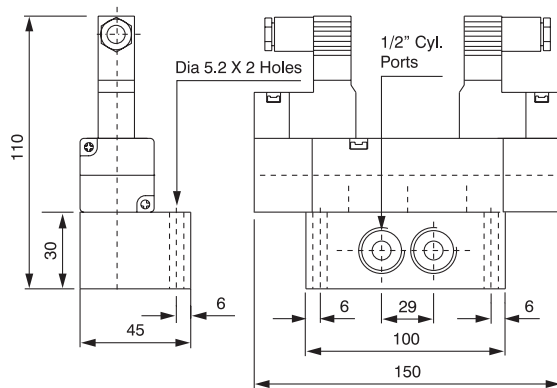
#### PART NOS.

Type	Part No.
G 3/8 5/2 Single Solenoid Sub-base valve	D83214
G1/2 5/2 Single Solenoid Sub-base valve	D93214
Seal kit for 5/2 Single Solenoid valve	SK93214

#### SPECIFICATIONS

	Single Solenoid	Double Solenoid
Medium	Compressed Air, Filtered	
Design	Spool type with air spring return	
Working pressure	1.5 - 10 Kg/sq.cm	
Ambient / fluid temp.	- 10° C to 55° C	
Cv ( Nominal flow)	2.2 ( 2200 lit. / min )	
Response time at 5 bar	ON time - 10 m.s. OFF time - 30 m.s.	
Manual Override	Push type	
Optional features	PIC with light indicator External Pilot Actuation	
Materials	Body & Spool : Aluminium Seals : NBR	

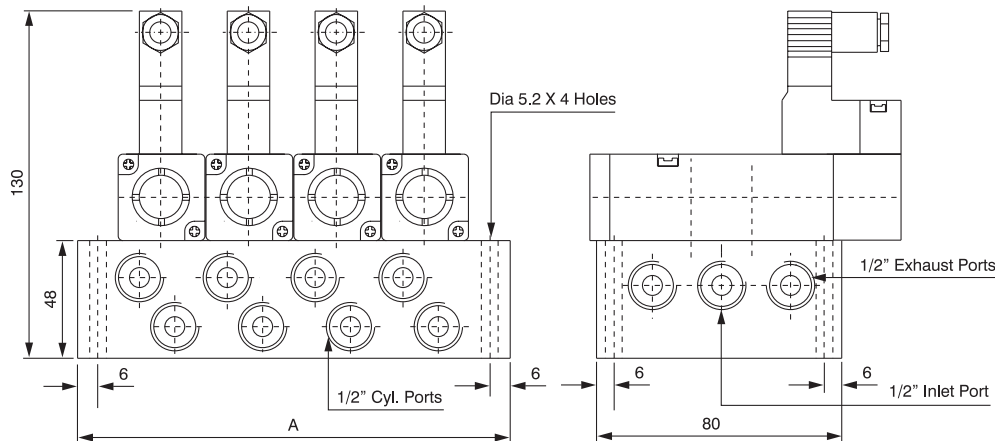
### G 3/8 & G 1/2-5/2 DOUBLE SOLENOID SUB-BASE VALVE ( COMPACT )



#### PART NOS.

Type	Part No.
G 3/8 5/2 Double Solenoid Sub-base valve	D83224
G1/2 5/2 Double Solenoid Sub-base valve	D93224
Seal kit for 5/2 Double Solenoid valve	SK93224

### GANG MAINFOLD - 5/2 SUB BASE VALVE ( COMPACT )



#### Ordering Information

For ordering gang manifold of 3 valves namely 2 nos. of 1/2" Single Solenoid Sub Base Valve and 1 no. of 1/2" Double Solenoid Sub Base Valve following is the ordering key.

Manifold : 12 PM-3  
Valve : D 93214 2 nos.  
Valve : D 93224 1 no.

Number of Valves	2	3	4	5	6
Dimension 'A'	104.25	136.50	168.75	201	233.25
3/8" Manifold Part No.	38PM-2	38PM-3	38PM-4	38PM-5	38PM-6
1/2" Manifold Part No.	12PM-2	12PM-3	12PM-4	12PM-5	12PM-6

Note : 1) Max. no. of valves on a single manifold block is 6 nos.  
2) Valves beyond 6 nos. offered in combination of manifolds ( consult Engg. Dept )