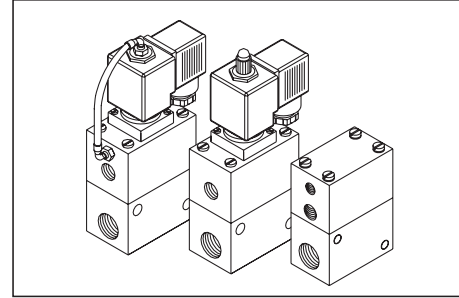


G 1/4, G 3/8, G 1/2 - 3/2 Vertical Poppet Solenoid / Pilot Valves

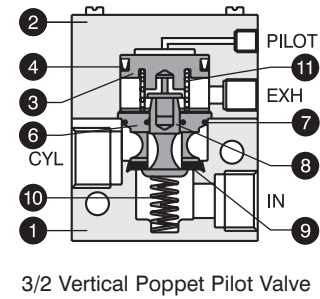
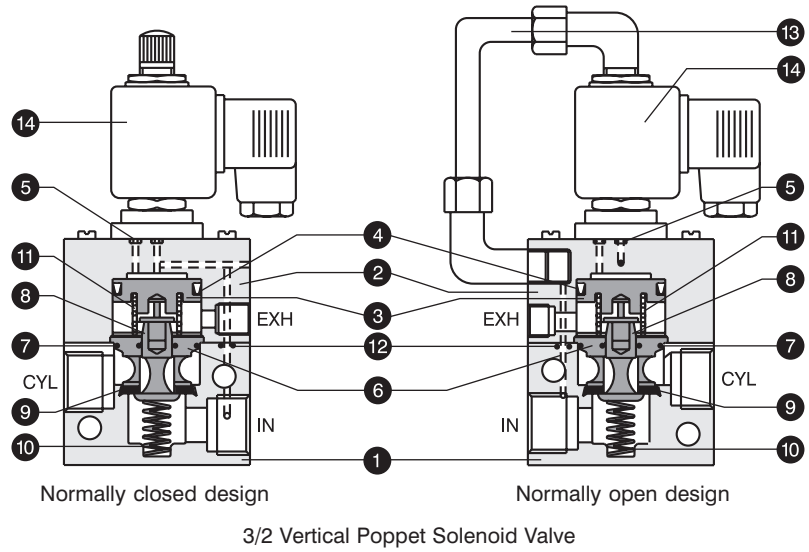
- Utilizes well proven poppet design to give high flow rates.
- Suitable for single acting cylinders.
- Offered in 1/4", 3/8", 1/2" port sizes and in 'Normally Closed' & 'Normally Open' solenoid version & 'Normally Closed' pilot version.



PART LIST

NO.	DESCRIPTION	QTY.		
		Normally closed	Solenoid operated Normally open	Pilot operated
1	Base	1	1	1
2	Cover	1	1	1
3	Piston	1	1	1
4	Piston 'U' cup	1	1	1
5	Cover 'O' rings	2	2	--
6	Retainer	1	1	1
7	Retainer 'O' rings	2	2	2
8	Plunger	1	1	1
9	Washer	1	1	1
10	Base spring	1	1	1
11	Piston spring	1	1	1
12	Base 'O' ring	1	1	--
13	Connecting tube	--	1	--
14	Coil assembly	1	1	--

Seal kit consists of items 4, 5, 7, 9 & 12.

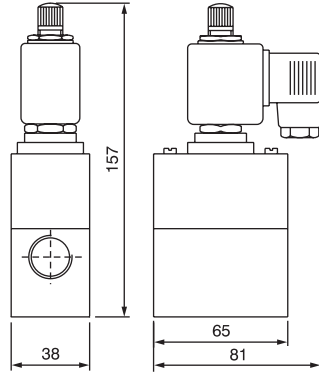
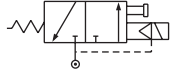


ELECTRICAL COIL SPECIFICATIONS

TYPE	Valve with (G25 - 8W) coil *
Tube assly. construction	SS Plunger with NBR seals, SS magnet core assembled with brass adaptor
Coil voltages	AC : 24, 42, 48, 110, 240, 440 V 50 Hz DC : 12, 24, 48, 110, 240 V
Voltage range	± 10% / -15%
Power consumption	AC : Pull : 21 VA, Hold : 14 VA DC : 10 WATT
Duty cycle	100%
Class of insulation	F (Winding wire of class 'H' insulation)
Degree of protection	IP 65 - IS 2147
Cable connector	DIN 43650 - PG 11

* Vertical poppet valve is also offered with flame-proof coil duly certified by CMRS Dhanbad for grades I, II A and II B. Refer data sheet SPA-03 for details.

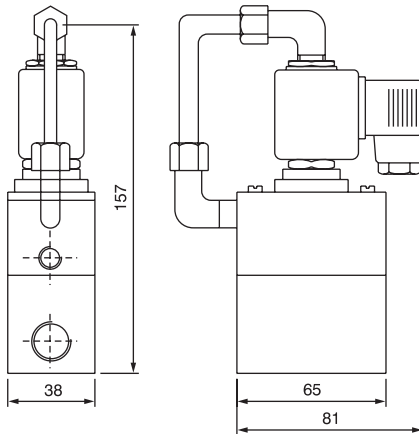
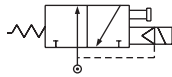
G 1/4, 3/8, 1/2 - 3/2 VERTICAL POPPET SOLENOID VALVE (Normally closed)



SPECIFICATIONS :

Port size	G 1/4	G 3/8	G 1/2
Part no.	G 023	G 123	G 223
Seal kit no.	SK 023	SK 023	SK 023
Medium	Compressed air, Filtered		
Design	Poppet type - Normally closed		
Working pressure	2 - 10 bar		
Ambient / fluid temp.	- 10 to 85° C		
Cv (Nominal flow)	G 1/4	G 3/8	G 1/2
	2.65 (2650 lit/min)		2.85 (2850 lit/min.)
Optional feature	PIC with light indicator Flameproof coil Manual override (screw type)		
Response time at 5 bar	ON time : 45 m.s OFF time : 55 m.s		
Materials	Body, Cover & Plunger : Aluminium Seals : NBR		

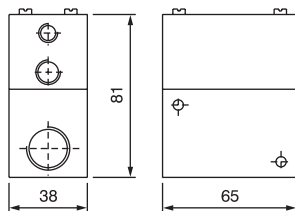
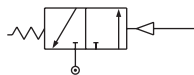
G 1/4, 3/8, 1/2 - 3/2 VERTICAL POPPET SOLENOID VALVE (Normally open)



SPECIFICATIONS :

Port size	G 1/4	G 3/8	G 1/2
Part no.	B 027	B 127	B 227
Seal kit no.	SK 023	SK 023	SK 023
Medium	Compressed air, Filtered		
Design	Poppet type - Normally open		
Working pressure	1 - 10 bar		
Ambient / fluid temp.	- 10 to 85° C		
Cv (Nominal flow)	G 1/4	G 3/8	G 1/2
	2.65 (2650 lit/min)		2.85 (2850 lit/min.)
Optional feature	PIC with light indicator Flameproof coil Manual override (Screw type)		
Response time at 5 bar	ON time : 55 m.s OFF time : 50 m.s		
Materials	Body, Cover & Plunger : Aluminium Seals : NBR		

G 1/4, 3/8, 1/2 - 3/2 VERTICAL POPPET PILOT VALVE (Normally closed)



SPECIFICATIONS :

Port size	G 1/4	G 3/8	G 1/2
Part no.	B 003	B 103	B 203
Seal kit no.	SK 003	SK 003	SK 003
Medium	Compressed air, Filtered		
Design	Poppet type - Normally closed		
Working pressure	2 - 10 bar		
Ambient / fluid temp.	- 10 to 85° C		
Cv (Nominal flow)	G 1/4	G 3/8	G 1/2
	2.65 (2650 lit/min)		2.85 (2850 lit/min.)
Response time at 5 bar	ON time : 50 m.s		
Materials	Body, Cover & Plunger : Aluminium Seals : NBR		

Note : Exh port size : 1/4" BSP
Pilot port size : 1/8" BSP