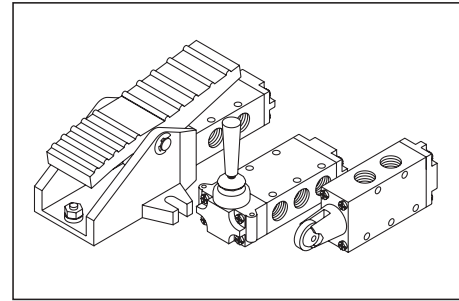


G 1/4 - 5/2 Manually Operated Modular Spool Valves

- Sturdy and rugged in construction.
- Manually operated valves are available with 4 types of actuation namely Push Button Actuated, Roller Actuated, Hand lever Actuated and Foot lever actuated.
- Basic design is side ported, Sub base optional against specific requirement.

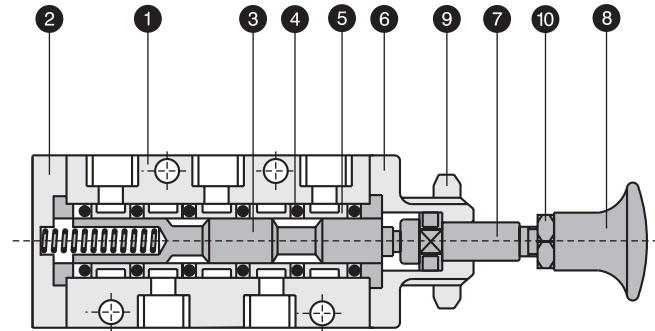


PART LIST

5/2 PUSH BUTTON ACTUATED MODULAR SPOOL VALVE

| NO. | DESCRIPTION | QTY. |
|-----|---------------------|------|
| 1 | Body | 1 |
| 2 | Spring Housing | 1 |
| 3 | Spool | 1 |
| 4 | 'O' ring | 6 |
| 5 | Shell | 5 |
| 6 | Push button housing | 1 |
| 7 | Plunger | 1 |
| 8 | Button | 1 |
| 9 | Check nut | 1 |
| 10 | Lock Nut | 1 |

Seal kit consists of items 4 & 5



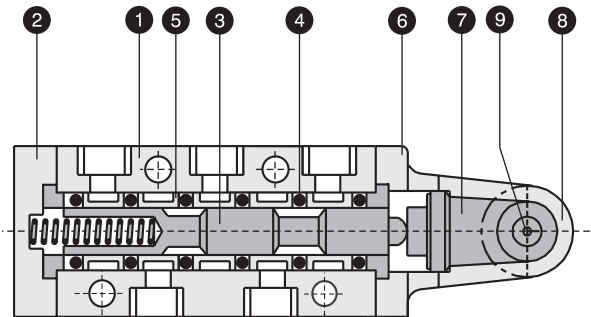
5/2 Push Button Actuated Modular Spool Valve

PART LIST

5/2 ROLLER ACTUATED MODULAR SPOOL VALVE

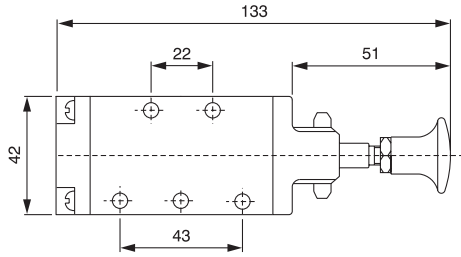
| NO. | DESCRIPTION | QTY. |
|-----|----------------|------|
| 1 | Body | 1 |
| 2 | Spring Housing | 1 |
| 3 | Spool | 1 |
| 4 | 'O' ring | 6 |
| 5 | Shell | 5 |
| 6 | Roller housing | 1 |
| 7 | Plunger | 1 |
| 8 | Roller | 1 |
| 9 | Pin | 1 |

Seal kit consists of items 4 & 5



5/2 Roller Actuated Modular Spool Valve

G 1/4 - 5/2 Push Button Actuated Modular Spool Valve



PART NOS.

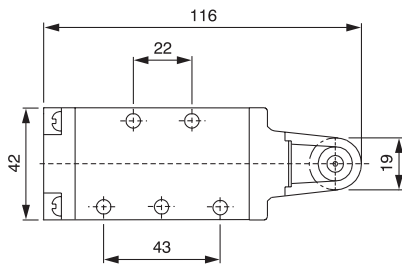
| Type | Side ported valve | Valve with Sub-base Plate |
|------------------------------------|-------------------|---------------------------|
| Push button operated spring return | 53004 HS* | 53204 HS* |
| Seal Kit | SK 53004 M | SK 53204 M |

*H instead of HS for valve without spring return

SPECIFICATIONS

| | |
|-----------------------|--|
| Medium | Compressed air, Filtered |
| Design | Spool type with spring return |
| Working pressure | 0 - 10 bar |
| Ambient / fluid temp. | - 10° C to 85° C |
| Cv (Nominal flow) | 1.0 (1000 lit. / min.) |
| Materials | Body : Aluminium Spool : EN1 A, Hard chrome plated Seals : NBR |

G 1/4 - 5/2 Roller Actuated Modular Spool Valve



PART NOS.

| Type | Side ported valve | Valve with Sub-base Plate |
|-------------------------------------|-------------------|---------------------------|
| Roller lever operated spring return | 53004 RS | 53204 RS |
| Seal kit | SK 53004 M | SK 53204 M |

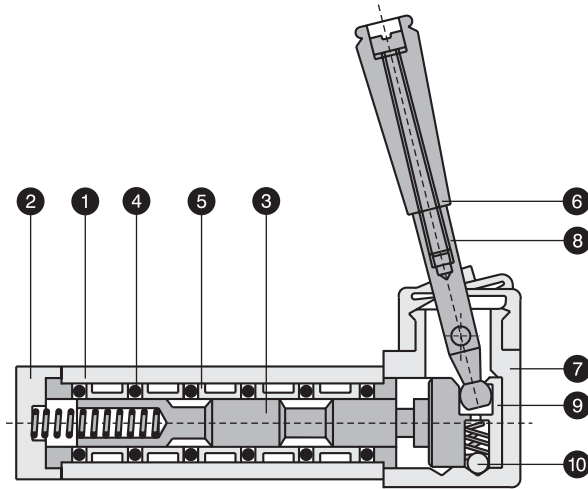
SPECIFICATIONS

| | |
|-----------------------|--|
| Medium | Compressed air, Filtered |
| Design | Spool type with spring return |
| Working pressure | 0 - 10 bar |
| Ambient / fluid temp. | - 10° C to 85° C |
| Cv (Nominal flow) | 1.0 (1000 lit. / min.) |
| Materials | Body : Aluminium Spool : EN1 A, Hard chrome plated Seals : NBR |

PART LIST
5/2 HAND LEVER ACTUATED
MODULAR SPOOL VALVE

| NO. | DESCRIPTION | QTY. |
|-----|----------------|------|
| 1 | Body | 1 |
| 2 | Spring Housing | 1 |
| 3 | Spool | 1 |
| 4 | 'O' ring | 6 |
| 5 | Shell | 5 |
| 6 | Handle | 1 |
| 7 | Lever housing | 1 |
| 8 | Lever | 1 |
| 9 | Plunger | 1 |
| 10 | Ball | 1 |

Seal kit consists of items 4 & 5

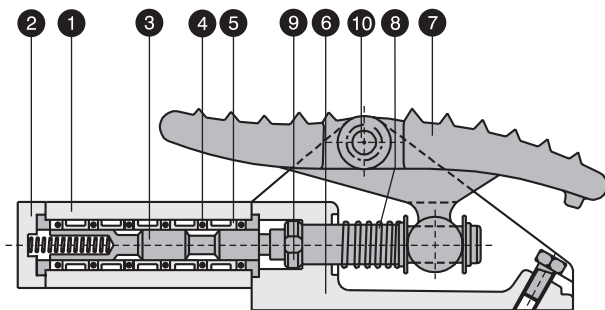


5/2 Hand Lever Actuated Modular Spool Valve

PART LIST
5/2 FOOT LEVER ACTUATED
MODULAR SPOOL VALVE

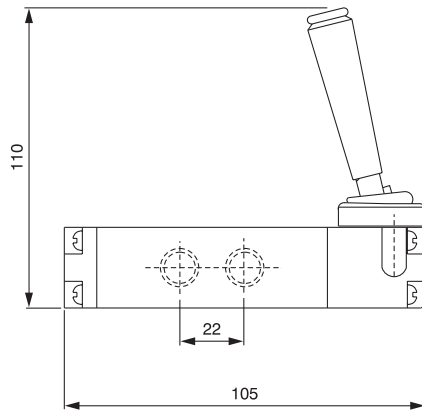
| NO. | DESCRIPTION | QTY. |
|-----|--------------------|------|
| 1 | Body | 1 |
| 2 | Spring housing | 1 |
| 3 | Spool | 1 |
| 4 | 'O' ring | 6 |
| 5 | Shell | 5 |
| 6 | Foot lever housing | 1 |
| 7 | Pedal | 1 |
| 8 | Spring | 1 |
| 9 | Plunger | 1 |
| 10 | Pin | 1 |

Seal kit consists of items 4 & 5



5/2 Foot Lever Actuated Modular Spool Valve

G 1/4 - 5/2 Hand Lever Operated Modular Spool Valve



PART NOS.

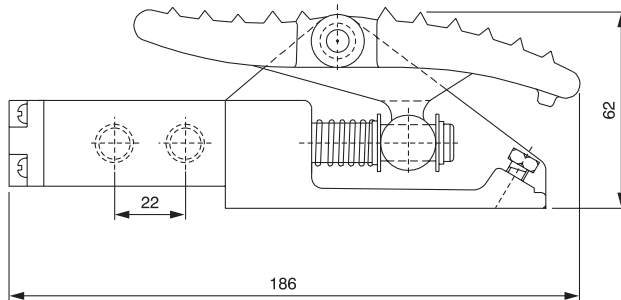
| Type | Side ported valve | Valve with Sub-base Plate |
|-----------------------------------|-------------------|---------------------------|
| Hand lever operated spring return | 53004 LS* | 53204 LS* |
| Seal Kit | SK 53004 M | SK 53204 M |

* L instead of LS for valve without spring return

SPECIFICATIONS

| | |
|-----------------------|--|
| Medium | Compressed air, Filtered |
| Design | Spool type with spring return |
| Working pressure | 0 - 10 bar |
| Ambient / fluid temp. | - 10° C to 85° C |
| Cv (Nominal flow) | 1.0 (1000 lit. / min.) |
| Materials | Body : Aluminium Spool : EN1 A, Hard chrome plated Seals : NBR |

G 1/4 - 5/2 Foot Lever Actuated Modular Spool Valve



PART NOS.

| Type | Side ported valve | Valve with Sub-base Plate |
|-----------------------------------|-------------------|---------------------------|
| Foot lever operated spring return | 53004 FS | 53204 FS |
| Seal kit | SK 53004 M | SK 53204 M |

SPECIFICATIONS

| | |
|-----------------------|--|
| Medium | Compressed air, Filtered |
| Design | Spool type with spring return |
| Working pressure | 0 - 10 bar |
| Ambient / fluid temp. | - 10° C to 85° C |
| Cv (Nominal flow) | 1.0 (1000 lit. / min.) |
| Materials | Body : Aluminium Spool : EN1 A, Hard chrome plated Seals : NBR |