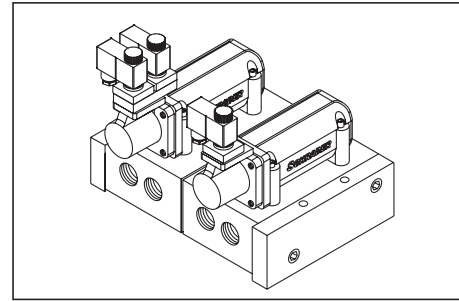
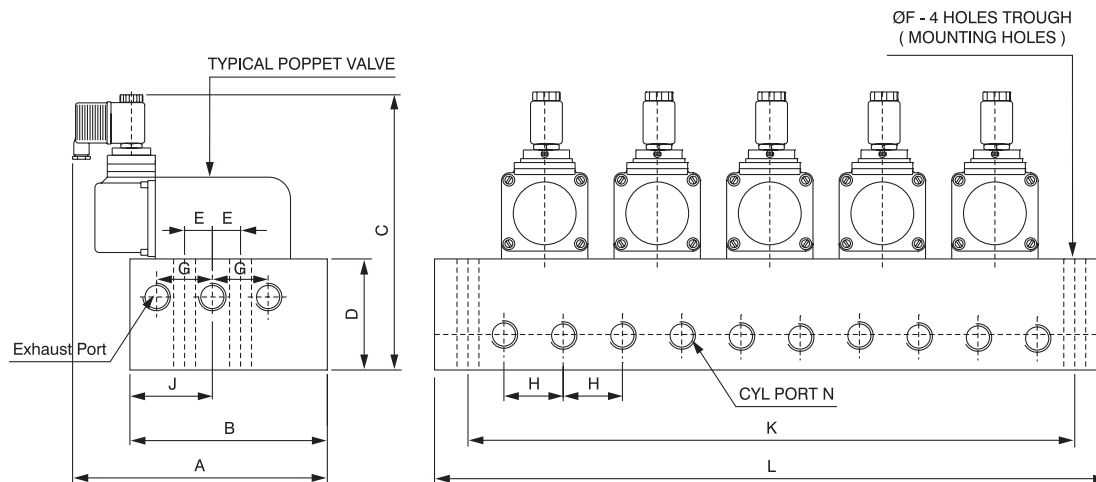


Gang Manifold - G 3/8 & G 3/4 Basic Poppet Valves

- Compact unit with common inlet and exhaust with individual cylinder ports.
- Reduced piping and joints helps in prevention of leakages and saving of labour.
- 3/8" Basic Poppet Valves are offered with one piece manifold block, thereby preventing internal leakages.
- Exhaust air can be piped to convenient location to avoid pollution.



GANG MANIFOLD - G 3/8 BASIC POPPET VALVES



Gang Manifold - G 3/8 Basic Poppet Valves

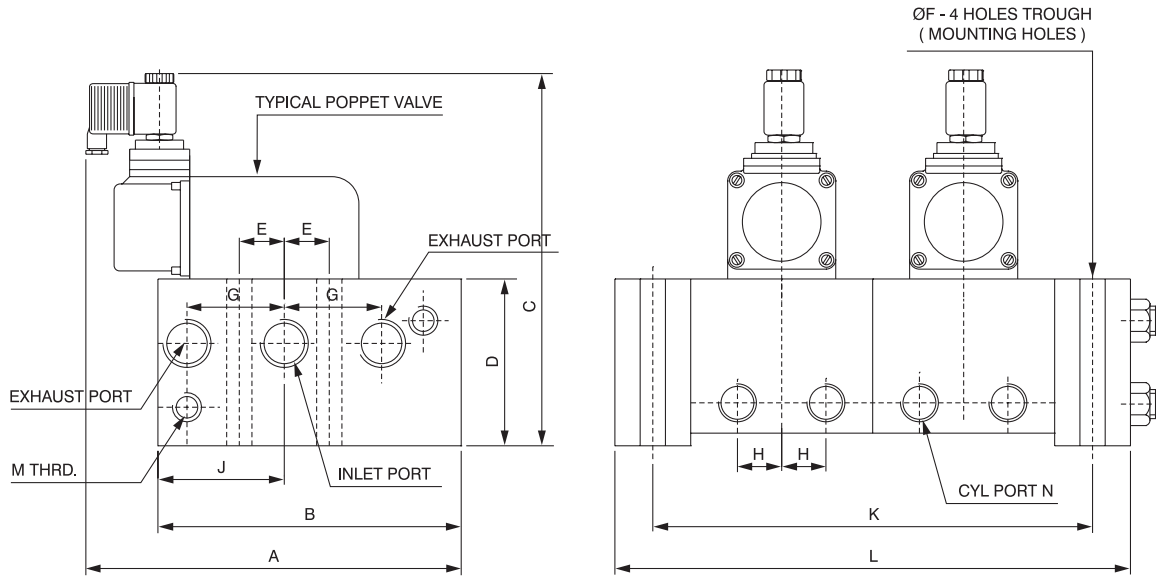
Basic Valve	M THRD.	CYL Port N	A	B	C	D	L	E	F	G	H	J	K
3/8"	G1/2	Option of G1/4, G3/8, G1/2	182	120	178	66	$L = (NX72) + 60$	18	10	38.5	19.0	50	$NX72 + 30$

No. of Valve Units	2	3	4	5	6
Dimension 'L'	204	276	348	420	492
Manifold Part No.	PVB 38 - 2*	PVB 38 - 3*	PVB 38 - 2*	PVB 38 - 2*	PVB 38 - 2*

Note -

- 1) Max. no. of valves on a single manifold is 6 no.
- 2) Valves beyond 6 nos. offered in combination of manifolds (consult Engg. Dept)
- 3) Valves that can be mounted (Valve without base Plate)
 - 1/4", 3/8" & 1/2" Single Solenoid Valve (G2455M, G2456M, G2461M)
 - 1/4", 3/8" & 1/2" Double Solenoid Valve (G725MD, G726MD, G730MD)
 - 1/4", 3/8" & 1/2" Single Pilot Valve (2455PM, 2456PM, 2461PM)
 - 1/4", 3/8" & 1/2" Double Pilot Valve (725PM, 726PM, 730PM)
 - 1/4", 3/8" & 1/2" Hand Lever Valve (3320MH, 3321MH, 3326MH)
- 4) For technical details of valves refer -
 - G1/4" - G1"5/2 Poppet Solenoid Valve : SPV-39
 - G1/4" - G1"5/2 Poppet Pilot Valve : SPV-40
 - G1/4" - G1"5/2 Manually Operated Poppet Valve : SPV-41

GANG MANIFOLD - G 3/4 BASIC POPPET VALVES



Basic Valve	M THRD.	CYL Port N	A	B	C	D	L	E	F	G	H	J	K
3/4"	G3/4	Option of G1/2, G3/4	247	175	225	90	$L = (NX98) + 70$	30	14	58.75	25.4	75	$NX98 + 35$

No. of Valve Units	2	3	4	5	6
Dimension 'L'	266	364	462	560	658
Manifold Part No.	PVB 34 - 2*	PVB 34 - 2*	PVB 34 - 2*	PVB 34 - 2*	PVB 34 - 2*

Note -

- 1) Max. no. of valves on a single manifold is 6 no.
- 2) Valves beyond 6 nos. offered in combination of manifolds (consult Engg. Dept)
- 3) Valves that can be mounted (Valve without base Plate)
 - 1/2", 3/4" & 1" Single Solenoid Valve (G2457M, G2458M, G2459M)
 - 1/2", 3/4" & 1" Double Solenoid Valve (G727MD, G728MD, G729MD)
 - 1/2", 3/4" & 1" Single Pilot Valve (2457PM, 2458PM, 2459PM)
 - 1/2", 3/4" & 1" Double Pilot Valve (727PM, 728PM, 729PM)
 - 1/2", 3/4" & 1" Hand Lever Valve (3322MH, 3323MH, 3324MH)
- 4) For technical details of valves refer -
 - G1/4" - G1"5/2 Poppet Solenoid Valve : SPV-39
 - G1/4" - G1"5/2 Poppet Pilot Valve : SPV-40
 - G1/4" - G1"5/2 Manually Operated Poppet Valve : SPV-41