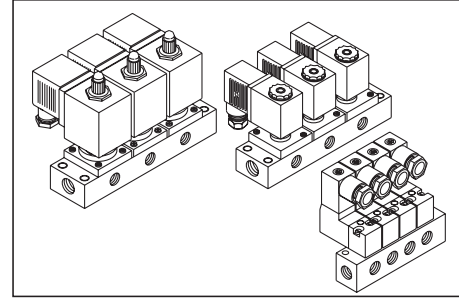
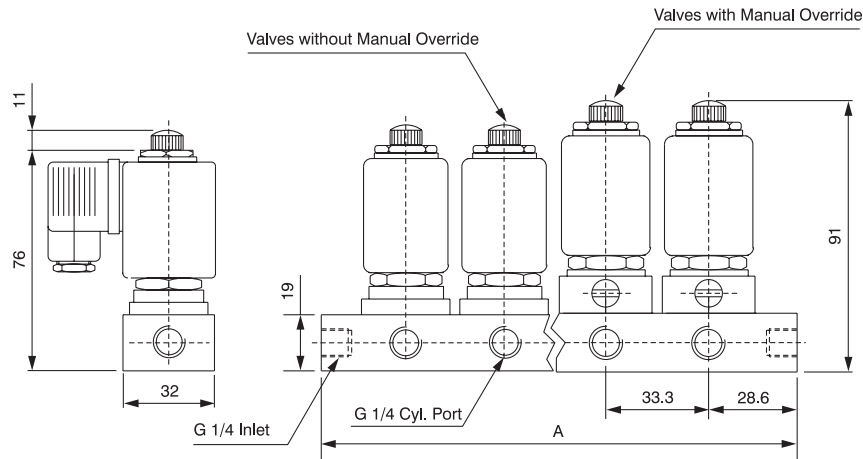


## Gang Manifold - 2/2, 3/2 Midget Solenoid Valves

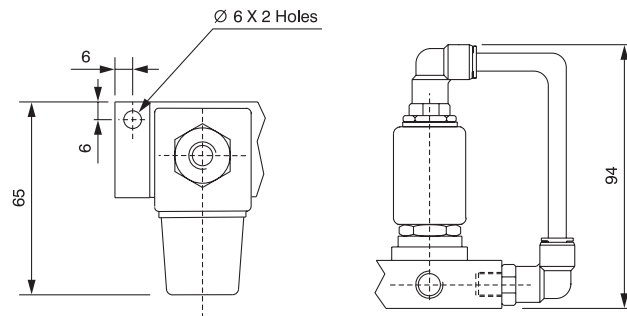
- Compact in Construction.
- Gang Manifolds with common inlet and individual cylinder and exhaust ports.
- Offered in G50 ( 8 W ), G25 ( 3 W ), G15 ( 2.5 W ) coil version.
- Different valve versions like 2/2, 3/2 'Normally Closed' & 'Normally Open' etc. can be combined in single manifold.



### GANG MANIFOLD - G50 COIL ASSEMBLY



Typical 2/2, 3/2 Gang Manifold



Normally Open Valve

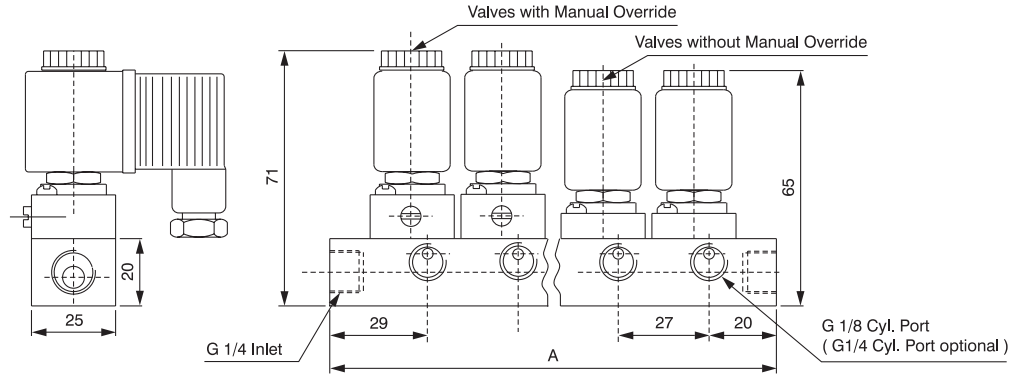
No. of Valve Units	2	3	4	5	6	7	8	9	10
Dimension 'A'	91	124	157	191	224	257	291	324	357
2/2 Manifold Part No.	M 50-2/2	M 50-2/3	M 50-2/4	M 50-2/5	M 50-2/6	M 50-2/7	M 50-2/8	M 50-2/9	M 50-2/10
3/2 Manifold Part No.	M 50-3/2	M 50-3/3	M 50-3/4	M 50-3/5	M 50-3/6	M 50-3/7	M 50-3/8	M 50-3/9	M 50-3/10

Note :

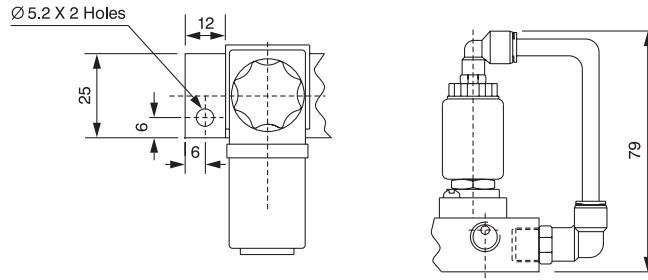
- 1) Valves that can be mounted are -  
2/2 NC Solenoid Valve  
3/2 NC Solenoid Valve  
3/2 NO Solenoid Valve

- 2) Detent type Manual Override is an optional feature.
- 3) For technical details of coil assembly, refer SPV-01
- 4) Maximum no. of valves on a single manifold is 12 nos.
- 5) PIC with light indicator is an optional feature.
- 6) Gang base material : Brass

### GANG MANIFOLD - G25 COIL ASSEMBLY



Typical 2/2, 3/2 Gang Manifold



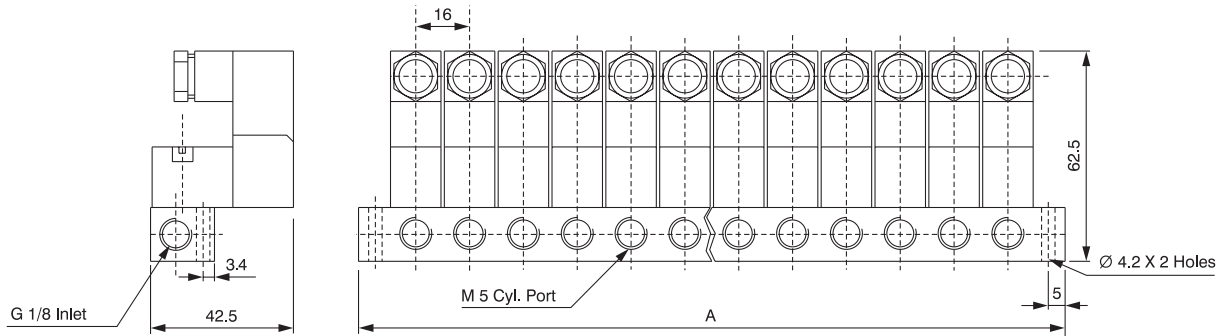
Normally Open Valve

No. of Solenoid Units	2	3	4	5	6	7	8	9	10
Dimension 'A'	76	103	130	157	184	211	238	265	292
2/2 Manifold Part No.	M 25-2/2	M 25-2/3	M 25-2/4	M 25-2/5	M 25-2/6	M 25-2/7	M 25-2/8	M 25-2/9	M 25-2/10
3/2 Manifold Part No.	M 25-3/2	M 25-3/3	M 25-3/4	M 25-3/5	M 25-3/6	M 25-3/7	M 25-3/8	M 25-3/9	M 25-3/10

Note :

- Valves that can be mounted are -  
G1/8, G1/4, 2/2 NC Solenoid Valve  
G1/8, G1/4, 3/2 NC Solenoid Valve  
G1/8, G1/4, 3/2 NO Solenoid Valve
- Detent type Manual Override is an optional feature.
- For technical details of coil assembly, refer SPV-01.
- Maximum no. of valves on a single manifold is 12 nos.
- PIC light indicator is an optional feature.

### GANG MANIFOLD - G15 COIL ASSEMBLY



No. of Solenoid Units	2	3	4	5	6	7	8	9	10	11	12
Dimension 'A'	50	66	82	98	114	130	146	162	178	194	210
2/2 Manifold Part No.	M15-2/2	M15-2/3	M15-2/4	M15-2/5	M15-2/6	M15-2/7	M15-2/8	M15-2/9	M15-2/10	M15-2/11	M15-2/12
3/2 Manifold Part No.	M15-3/2	M15-3/3	M15-3/4	M15-3/5	M15-3/6	M15-3/7	M15-3/8	M15-3/9	M15-3/10	M15-3/11	M15-3/12

Note :

- Valves that can be mounted are -  
2/2 NC Solenoid Valve  
3/2 NC Solenoid Valve  
3/2 NO Solenoid Valve
- Push button type Manual Override is a standard feature.
- Detent type Manual Override is an optional feature.
- For technical details of coil assembly, refer SPV-01.
- Maximum no. of valves on a single manifold is 12 nos.
- PIC with light indicator is an optional feature.