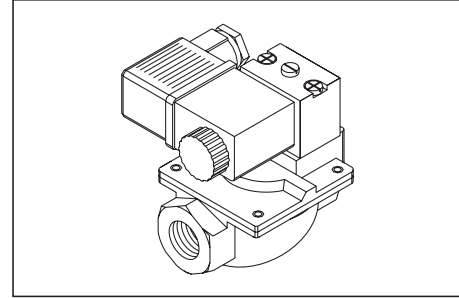


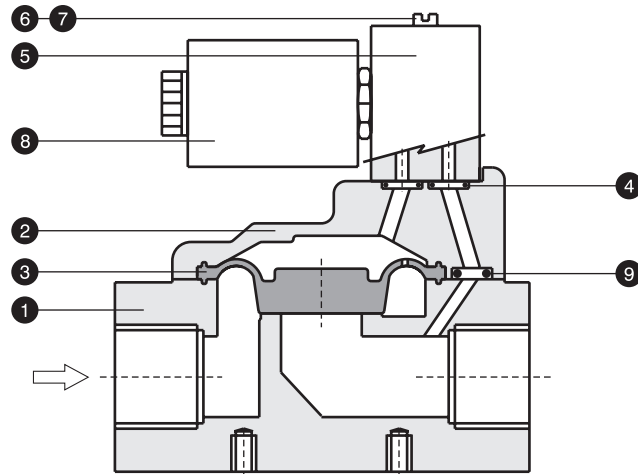
G 1/4, G 3/8, G 1/2 - 2 Way Diaphragm Operated Valves

- Suitable for air, water and light oil.
- Inline construction with provision of base mounting.
- Compact design with 4 W (G 25) coil as standard feature.
- Faster response time due to diaphragm design.
- Manual override as a standard feature.



PART LIST

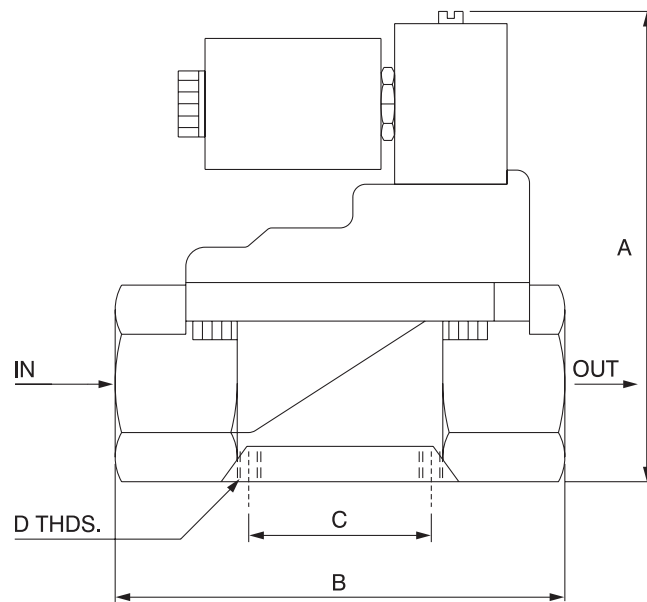
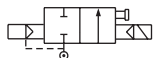
NO.	DESCRIPTION	QTY.
1	Body	1
2	Cover	1
3	Diaphragm	1
4	'O' ring (Solenoid housing)	2
5	Solenoid housing	1
6	M. O. pin	1
7	'O' ring (M. O. pin)	1
8	Tube & coil assembly	1
9	'O' ring (Body)	1



Seal kit consists of items 3, 4, 7 & 9.

Port size	1/4" BSP	3/8" BSP	1/2" BSP
Part no.	A 8200	A 8300	A 8400
Medium	Compressed air (Filtered), Light oil (Under 50 cst), Water		
Design	Diaphragm operated differential pressure 'ON-OFF' valve with solenoid actuation		
Mounting	Inline / Base mounted		
Working pressure	0.5 to 10 bar		
Ambient temperature	-10° to 85° C		
Response time of valve at 6 bar pr.	On Time : 35 ms Off Time : 110 ms		
Orifice size	6.5 mm	9.5 mm	13 mm
Cv (Nominal flow)	1.5 (1500 l/min)	2.1 (2100 l/min)	2.4 (2400 l/min)
Material	a) Body, Cover : Brass b) Diaphragm : Nylon reinforced NBR c) Solenoid housing : Brass		
Optional feature	PIC with light indicator		
Coil voltages	AC : 110V, 240V, 50Hz Other voltages on request (AC : 12,24,48V, 50 Hz.) DC : 24V (DC : 48, 110V)		
Voltage range	±10 %		
Power consumption (G 25 Coil)	AC : Pull - 7.5 VA, Hold - 6 VA DC : 4 Watt		
Class of insulation	F (Winding wire of class 'H' insulation)		
Degree of protection	IP 65 - IS 2147		
Cable connector	PG 9 (DIN 43650)		

G 1/4, G 3/8, G 1/2 - 2/2 DIAPHRAGM OPERATED VALVE



PORT SIZE	A	B	C	D THDS.	E WIDTH
G 1/4	74	72	25	M 5	50
G 3/8	74	72	25	M 5	50
G 1/2	74	72	25	M 5	50

Note :

- 1) Above valve with G50 coil will also offered and part No. will have prefix 'G' instead of 'A'.
- 2) Above valve in S.S. material and part No. will have prefix 'S' instead of 'N'.