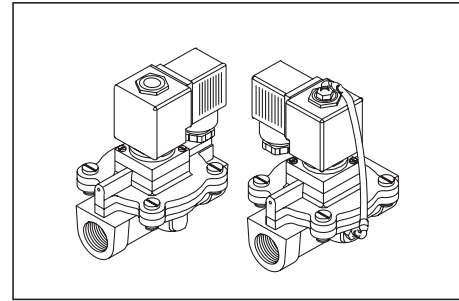


### G 1/2 - 2 Way Diaphragm Operated Valves ( G 8400 )

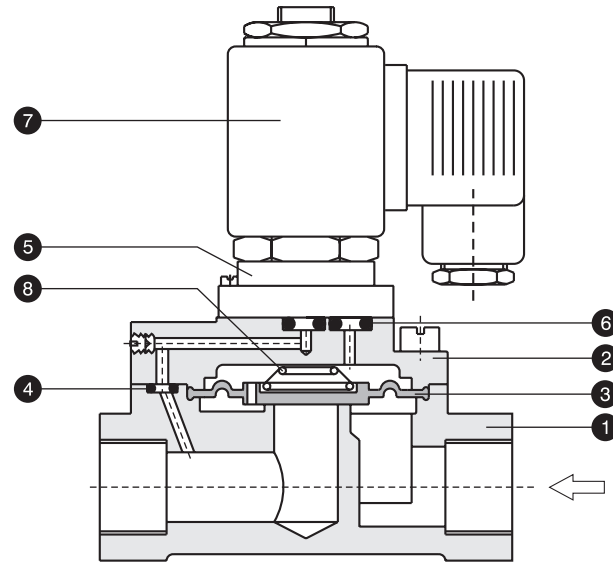
- Suitable for air, water and light oil media.
- Standard valve is of 'Normally Closed' design. 'Normally Open' valve can be offered against specific order.
- Faster response time due to light weight diaphragm.
- 8 W coil is a standard feature. Flame proof coils are also available against specific order.



#### PART LIST

NO.	DESCRIPTION	QTY.
1	Body	1
2	Cover	1
3	Diaphragm	1
4	'O' ring (Body)	1
5	Solenoid housing	1
6	'O' ring (Cover)	2
7	Tube and Coil Assembly	1
8	Spring	1

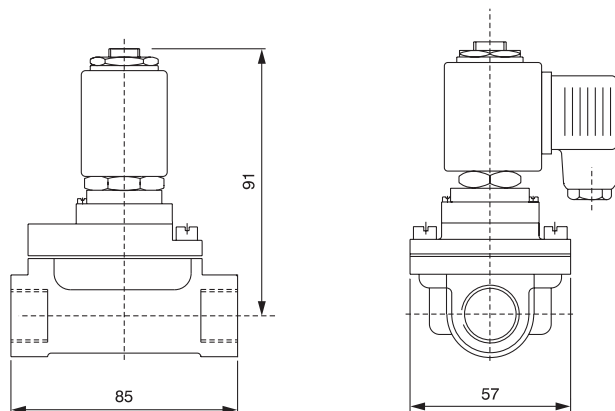
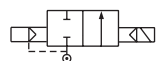
Seal Kit consists of items 3, 4 & 6.



#### COIL SPECIFICATIONS

PORT SIZE	G 1/2 (NORMALLY CLOSED)	G 1/2 (NORMALLY OPEN)
Part No.	G 8400	G 8401
Medium	Compressed air(Filtered), Light Oil (Under 50 cst),Water	
Design	Diaphragm operated differential pressure 'ON-OFF' valve with solenoid actuation	
Mounting	Inline mounted	
Working pressure	1 to 10 bar	
Ambient temperature	- 10° to 85° C	
Response time of at 6 bar pressure	ON time: 35 m.s	OFF time: 110 m.s
Cv ( Nominal flow of air )	2.1 (2100 lit /min.)	2.1 (2100 lit /min.)
Materials	a) Body Cover : Brass b) Diaphragm : NBR c) Solenoid housing : Brass d) Spring : Spring steel	
Optional features	PIC with light indicator, Manual Override	
Coil voltages	AC : 24, 110, 240V 50 Hz.	DC : 24, 110, 240V
Voltage range	+10 % / -15%	
Power consumption ( G-50 )	AC : Pull - 21 VA, Hold : 14VA	DC : 10 Watt
Class of insulation	F ( Winding wire of class 'H' insulation )	
Degree of protection	IP 65 - IS 2147	
Cable connector	PG 11 ( DIN 43650 )	

**G 1/2 - 2/2 DIAPHRAGM OPERATED VALVE ( N.C. )**

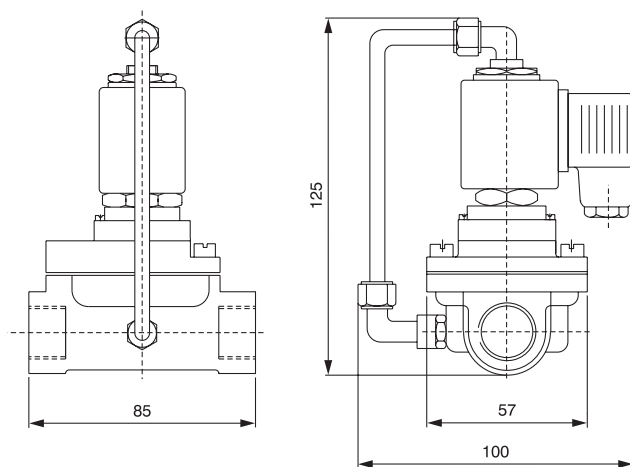
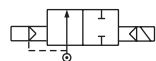


'Normally Closed' Design

**PART NOS.**

Valve Type	Part No.	Seal Kit
Normally Closed	G 8400	SK 8400

**G 1/2 - 2/2 DIAPHRAGM OPERATED VALVE ( N.O. )**



'Normally Open' Design

**PART NOS.**

Valve Type	Part No.	Seal Kit
Normally Open	G 8401	SK 8400