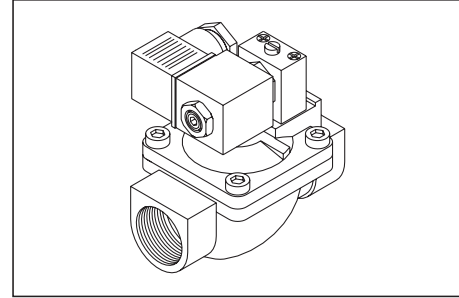


G 3/4, G 1, G 1½ - 2 Way Diaphragm Operated Valves

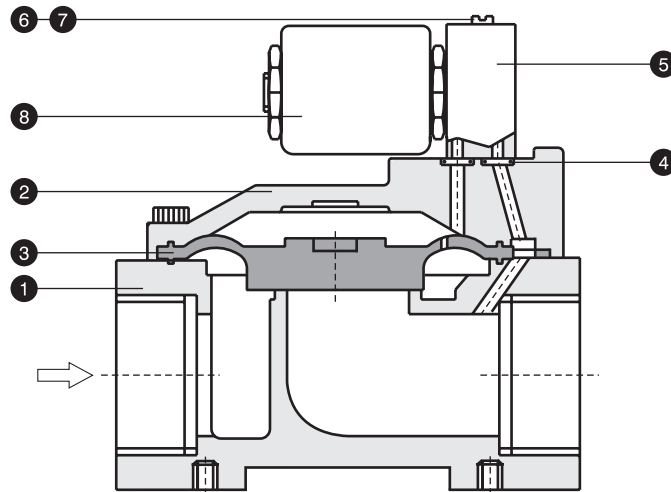
- Suitable for air, water and light oil.
- Inline construction with provision of base mounting.
- Diaphragm design ensures high flow rates and quick response.
- Longer life of diaphragm with reinforced construction.
- Manual override as a standard feature.



PART LIST

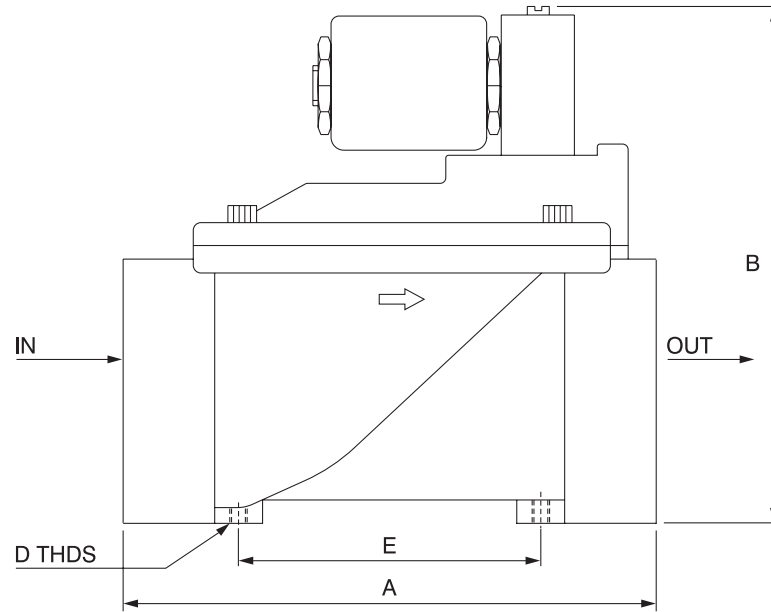
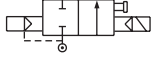
NO.	DESCRIPTION	QTY.
1	Body	1
2	Cover	1
3	Diaphragm	1
4	'O' ring (Solenoid housing)	2
5	Solenoid housing	1
6	M. O. Pin	1
7	'O' ring (M. O. pin)	1
8	Tube & coil assembly	1

Seal kit consists of items 3, 4 & 7.



Port size	3/4" BSP	1" BSP	1½" BSP
Part no.	G 8500	G 8600	G 8700
Medium	Compressed air (Filtered), Light oil (Under 50 cst), Water		
Design	Diaphragm operated differential pressure 'ON-OFF' valve with solenoid actuation		
Mounting	Inline / Base mounted		
Working pressure	0.5 to 10 bar		
Ambient temperature	-10° to 85° C		
Response time of valve at 6 bar pr.	On Time : 300 ms Off Time : 500 ms		
Orifice size	20 mm	25 mm	38 mm
Cv (Nominal flow)	10.0 (10000 l/min)	11.0 (11000 l/min)	30.0 (30000 l/min)
Materials	a) Body, Cover : Stainless steel b) Diaphragm : Reinforced NBR with metallic insert c) Solenoid housing : Brass		
Optional features	● PIC with light indicator. ● Explosionproof coil (Refer data sheet no. SPA-03) ● All S.S. construction/NBR seals and diaphragm. (Add suffix 'S' to part no.)		
Coil voltages	AC : 24, 110, 240 V 50 Hz. DC : 24, 110, 240 V		
Voltage range	+10 % / -15%		
Power consumption (G 50 Coil)	AC : Pull - 21 VA, Hold - 14 VA DC : 10 Watt		
Class of insulation	F (Winding wire of class 'H' insulation)		
Degree of protection	IP 65 - IS 2147		
Cable connector	PG 11 (DIN 43650)		

G 3/4, G 1, G 1½ - 2 WAY DIAPHRAGM OPERATED VALVE



PORT SIZE	A	B MAX.	C WIDTH	D THDS.	E
G 3/4	95	95	70	M 5	46
G 1	95	95	70	M 5	46
G 1½	140	128	96	M 5	60