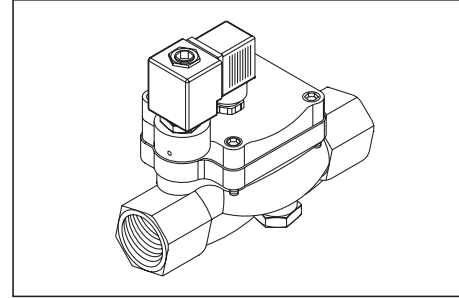


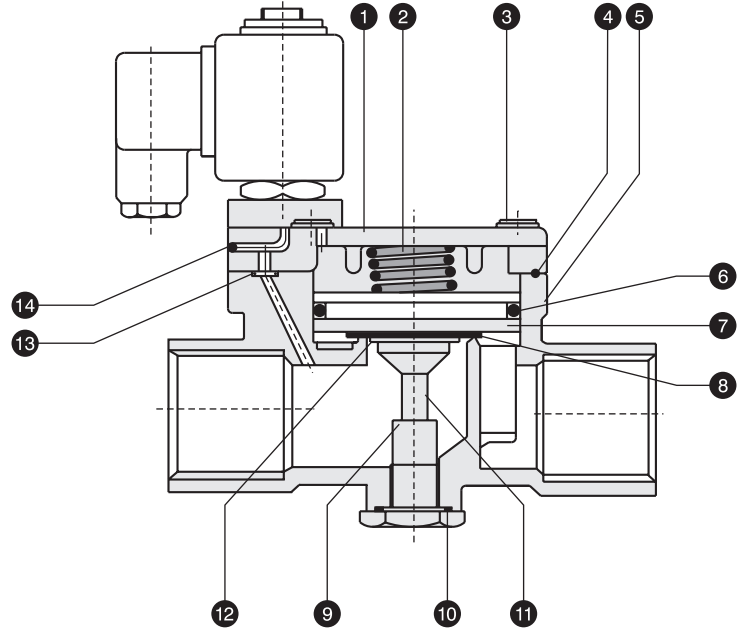
## G 3/4, 1 - 2 Way Piston Operated Valve

- Suitable for air, water and light oil media.
- Shut-off function.
- Rugged construction.



### PART LIST

NO.	DESCRIPTION	QTY.
1	Cover	1
2	Spring	1
3	Alien head cap screw	4
4	'O' ring cover	1
5	Body	1
6	'O' ring piston	1
7	Piston	1
8	Washer ( Polyurethane )	1
9	Guide	1
10	Washer for guide	1
11	Spool	1
12	Washer ( Brass )	1
13	'O' ring	1
14	Steel ball	1

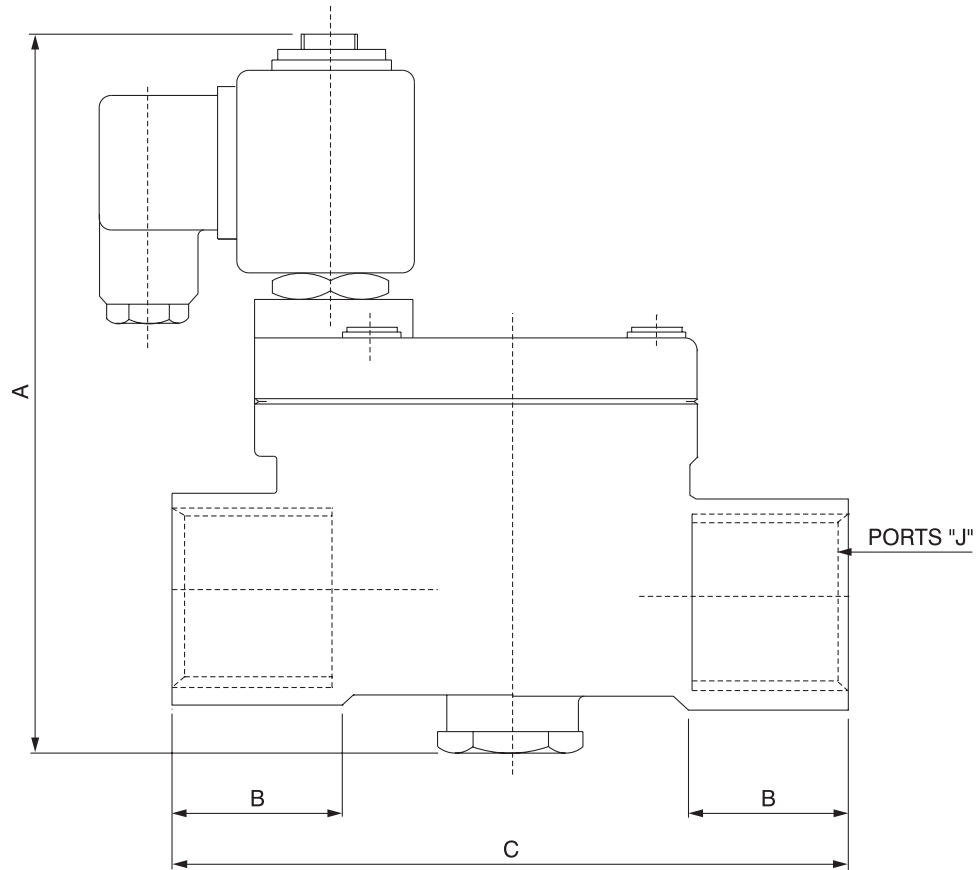


Seal Kit consists of items 4, 6, 8 & 13.

### COIL SPECIFICATIONS

PORT SIZE	3/4" BSP & 1" BSP ( NC )	3/4" BSP & 1" BSP ( NO )
Part No.	1342BA1	1342BA2
Medium	Compressed air (Filtered), Light Oil, Water	
Design	Piston operated	
Working pressure	0.5 to 10 bar	
Ambient temperature	- 10° to 85° C	
Response time ( Coil )	8 ms	
Cv ( Nominal flow )	12.5	
Materials	a)Body / Cover :Brass b)Seals : NBR c)Spring : Spring steel	
Coil voltages	AC : 24, 42, 48, 110, 240, 440V 50 HZ	DC : 12,24,48,110,240V
Voltage range	+10 % / -15%	
Power consumption	AC : Pull - 21 VA, Hold : 14.5 VA	DC : 10 Watt
Class of insulation	B ( Winding wire of class 'H' insulation )	
Degree of protection	IP 65 - IS 2147	
Cable connector	PG 11	

**G 3/4", 1" - 2 WAY PISTON OPERATED VALVE**



**PART NOS.**

Ports "J"	A	B	C
3/4" & 1" BSP	135	25	115