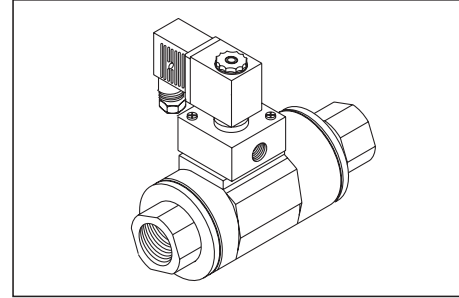


## G 1 - G 1-1/2 Axial Valve

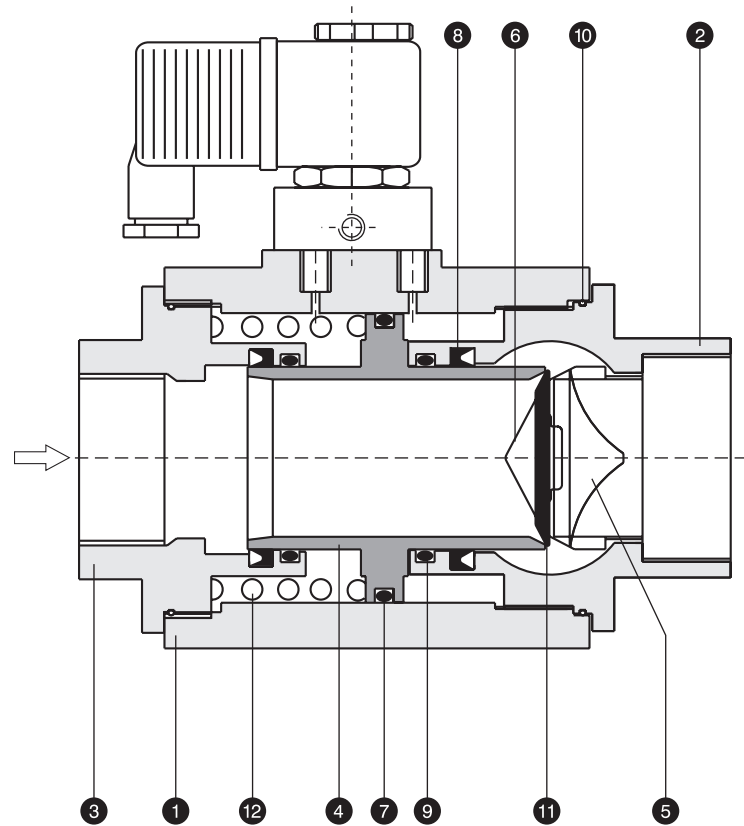
- Streamlined construction.
- Compact.
- Viton seals as standard.
- Provision to mount 3/2, 5/2 & 5/3 Namur Valve.
- Convertable from normally closed to normally open or double acting.



### PART LIST

NO.	DESCRIPTION	QTY.
1	Body	1
2	Front cover	1
3	Rear cover	1
4	Piston	1
5	Seat	1
6	Clamp	1
7	Piston 'O' ring	1
8	'U' Cup	2
9	Cover 'O' ring	2
10	Body 'O' ring	1
11	Seal	1
12	Spring	1

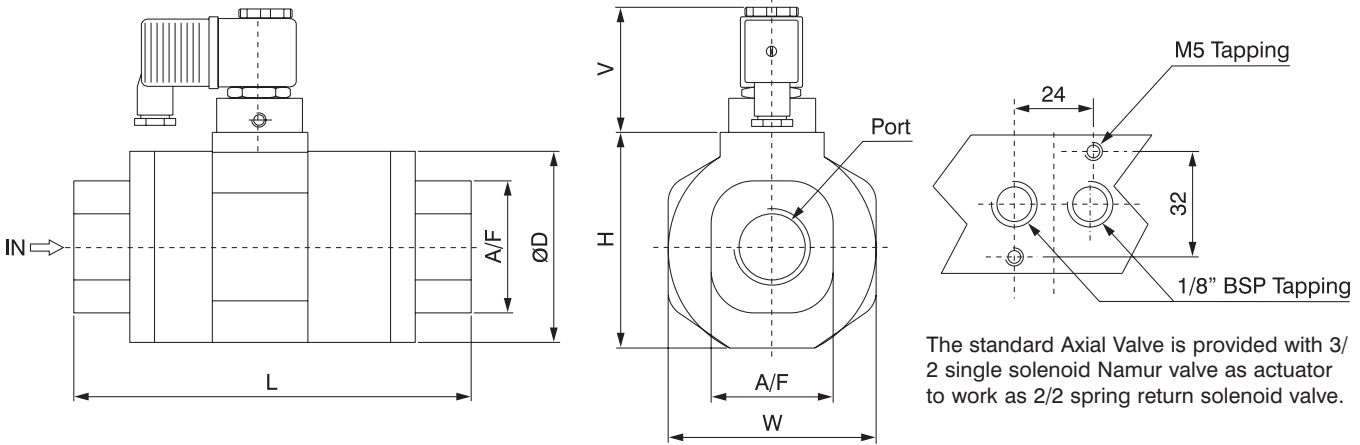
Seal kit consists of items 7, 8, 9, 10, & 11.



### SPECIFICATIONS

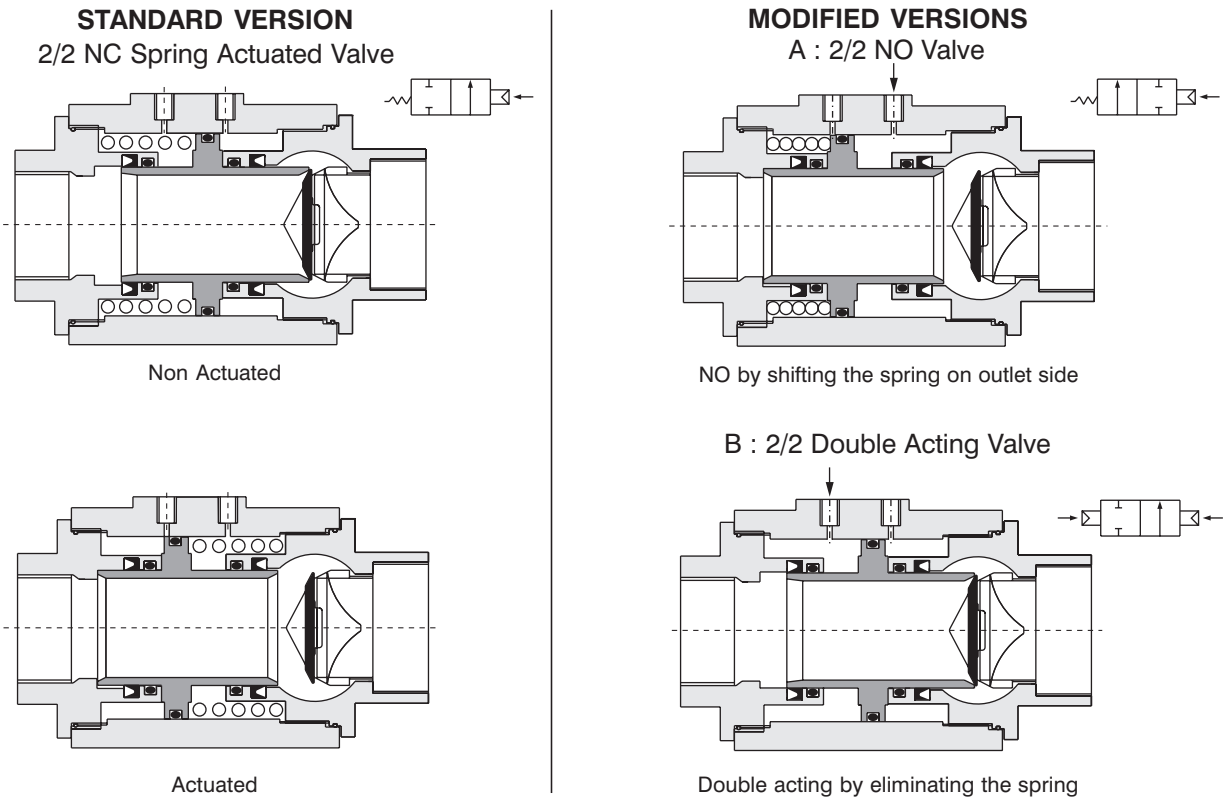
Size	1" BSP	1-1/2" BSP	2" BSP
Part no.	AXV-1	AXV-1.5	AXV-2
Medium	Air, Water, Oil, Chemicals compatible with Viton		
Design	Piston type with Spring return		
Working pressure	1.8 - 10 Kg./sq.cm.		
Ambient/Fluid Temp.	- 10 C to 180 C		
Nominal flow	Water : 240 L/min. Air : 15800 L/min.	Water : 800 L/min. Air : 53000 L/min.	Water : 1100 L/min. Air : 75000 L/min.
Response time at 5 bar	On Time : 10 m.s. Off Time : 35 m.s.		
Materials	Body Cover Piston : S.S. 304 Seals : Viton		
Actuation	Directly connecting to 1/8" BSP port or using SDL G1/8 - 3/2 Namur Valve or G1/4 - 3/2 ( Duly fitted ) G1/4 - 5/2 Namur High Flow Valve		
Seal kit part no.	SK-AXV-1	SK-AXV-1.5	SK-AXV-2

### G1, G1-1/2, G2 AXIAL VALVE



Part No.	Port	L	W	H	A/F	D	V	Weight
AXV-1	1" BSP	145	70	77	40	70	95	2.9 Kg.
AXV-1-1/2	1-1/2" BSP	181	96	102	60	96	95	6.2 Kg.
AXV-2	2" BSP	206	110	120	75	110	95	8.7 Kg.

The standard version of the Axial Valve ( as assembled and packed ) is of 2/2 Normally close, Pilot actuated spring return type with two nos.1/8" BSP port for actuation and exhaust. The same valve can be modified to 2/2 NO spring return type or 2/2 double acting detent type by modifying following.



Note :-

- 1) The actuation of Axial valve can be achieved by manual pilot or solenoid actuated valves. Namur base valves can be directly mounted. Alternatively standard valve can be suitably piped.
- 2) Ref data sheet PMV-07 for Namur valve selection.
- 3) Unless otherwise specified in the ordering. Axial valve will be of 2/2 NC spring actuated version with 3/2 single solenoid Namur valve (Part No. G454 A NM) duly assembled.