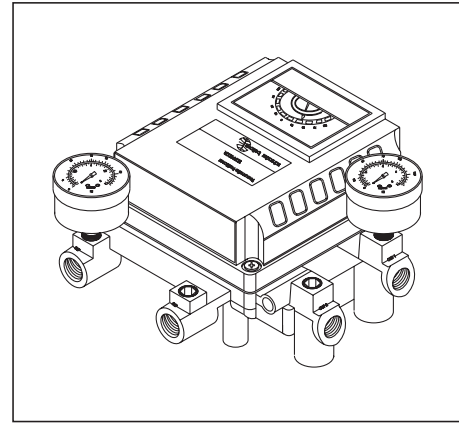


Pneumatic Positioner - SDPP 1200R

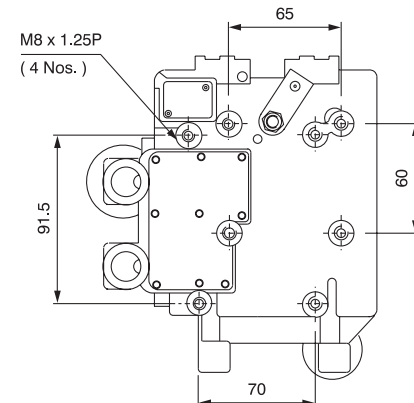
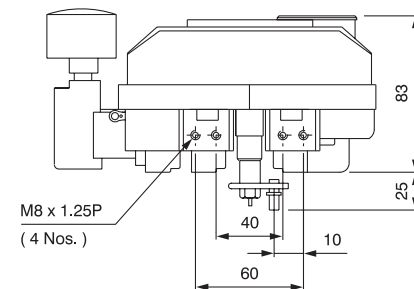
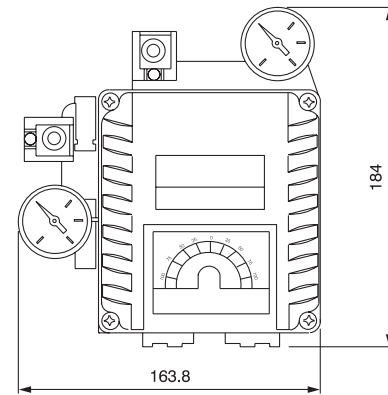
Pneumatic positioner is an useful interlinking device controlling cylinder / valve movement in proportion to pneumatic signal ranging between 0.2 to 1 bar (3 to 15 psi) or split ranges. The salient features of Schrader Pneumatic Positioner are :

- It is compact.
- Works effectively under adverse environmental conditions
- It is economical due to minimal air consumption.
- Provision of orifice-disc to prevent hunting in small size actuators.
- Convenient changeover from single acting to double acting and vice versa.



SPECIFICATIONS

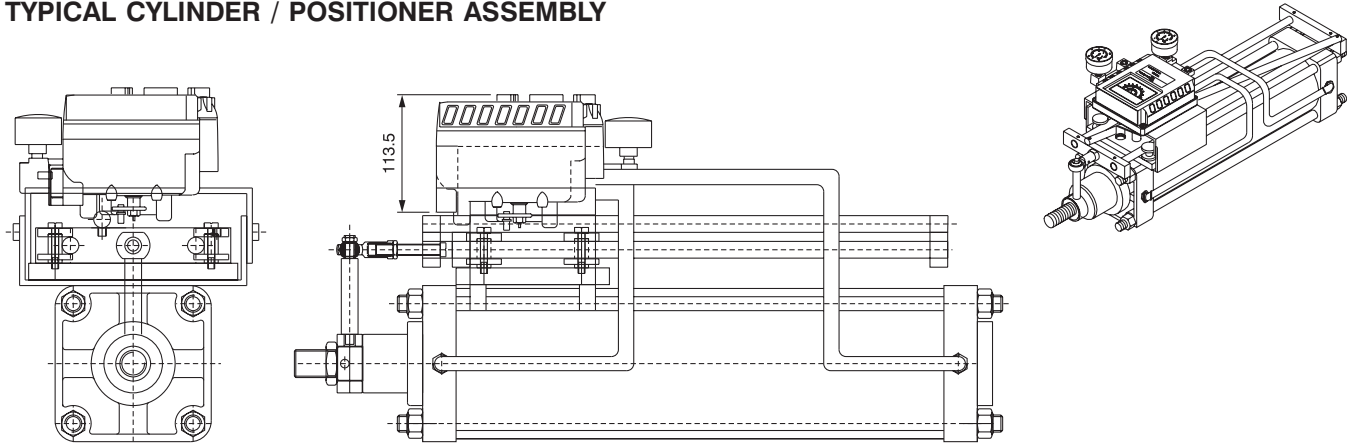
ITEM	SINGLE	DOUBLE
Input Signal	0.2-1 kgf/cm ² (3-15 psi)	
Supply Pressure	1.4-7Kgf/cm ² (20-100 Psi)	
Stroke (Linear/Rotary)	50 to 1200 m.m. / 0 to 90°	
Air Connection	PT (NPT) 1/4"	
Gauge Connection	PT (NPT) 1/8"	
Conduit	PF 1/2" (G1/2")	
Protection	IP 66	
Ambient Temp.	-20°-70°C	
Linearity	± 2% F.S.	
Hysteresis	± 1% F.S.	
Sensitivity	± 0.5% F.S.	
Repeatability	± 0.5% F.S.	
Air Consumption	3LPM (Sup=1.4Kgf/cm ² , 20psi)	
Flow Capacity	80LPM (Sup=1.4Kgf/cm ² , 20psi)	
Material	Aluminium Die Casting	
Weight	1.7Kg. (3.1 lb)	



OPTIONAL FEATURES

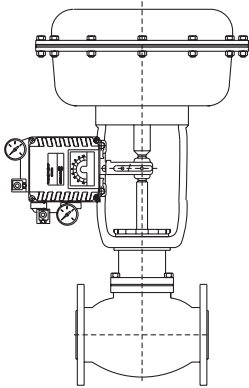
Position Transmitter	External Arrangement
	Input Signal : 0-90° (Obtained From Positioner)
	Output Signal : 4-20mA DC
	Load Resistance : 0-600 ohm
	Supply Voltage : 15-30 V DC
Limit Switch	Internal Arrangement
	Rating : AC 0.6A 125V-16A 250V
	Switch Type : 2 x SPDT

TYPICAL CYLINDER / POSITIONER ASSEMBLY



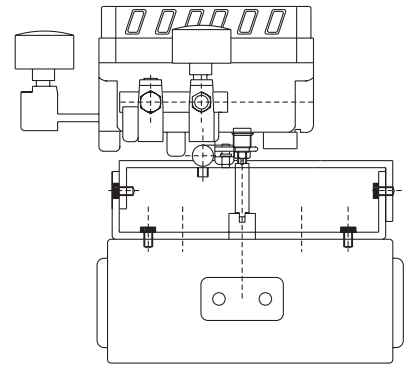
Input Signal : 0.2 to 1 Bar (3 to 15 psi)
Cylinder Bore : \varnothing 1-1/2" to 12"
 \varnothing 40 mm to 320 mm

TYPICAL VALVE / POSITIONER ASSEMBLY



Input Signal : 0.2 to 1 Bar (3 to 15 psi)
Maximum Stroke : 150 mm

TYPICAL ROTARY ACTUATOR / POSITIONER ASSEMBLY



Input Signal : 0.2 to 1 Bar (3 to 15 psi)
Angular Movement : 90°

OPTIONAL FEATURES AND ACCESSORIES WITH POSITIONER ASSEMBLY

- Mounting as required
- Bellows (Gaitor) for dust protection
- Turn Buckle (Fork)
- Lockup valve : (Provision for stay put condition)
- Equalising valve
- Viton seals for high temp (180°C)
- Manual override
- Air reservoir
- Speed regulator
- FR unit