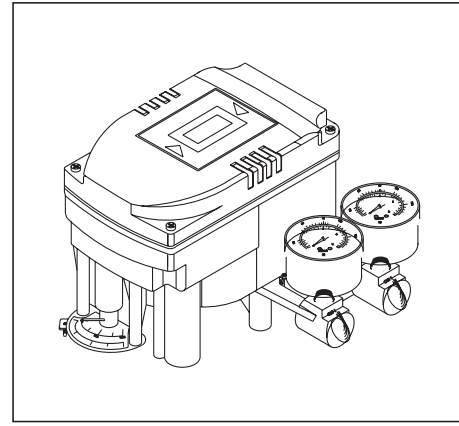


Smart Positioner - SDSP 2300 R

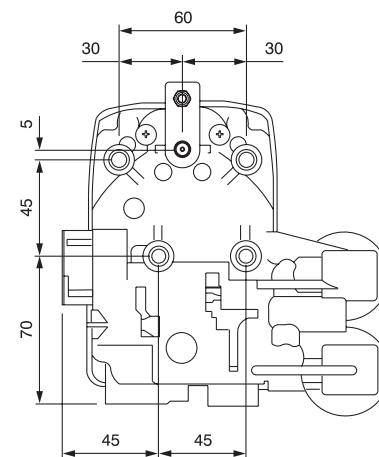
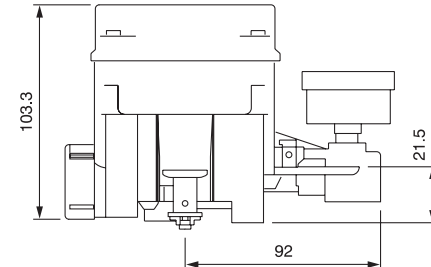
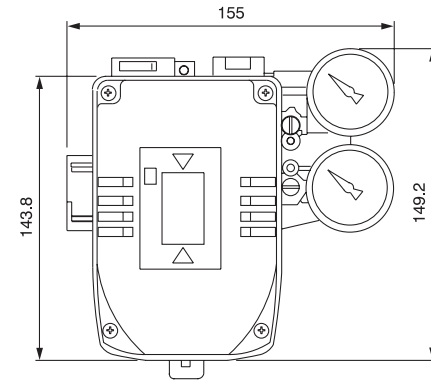
Smart Positioner controls stroke of the actuator in proportion to the input signal between 4-20mA. Besides, an efficient built in microprocessor performs functions like auto calibration, PID control, Alarm and Hart protocol etc. In addition,

- LCD display unit communicates status of actuator unit.
- Hart communicator processes variety of information related to actuator & positioner.
- PID parameters can be easily adjusted in the field without using communicator.
- Positioner transmitter is also offered as an optional accessory.



SPECIFICATIONS

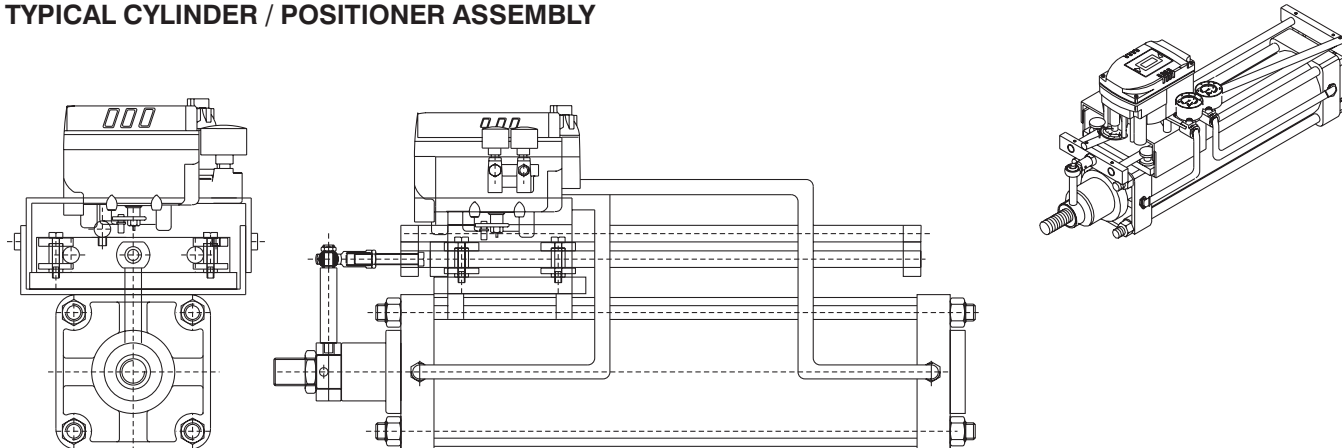
ITEM		SINGLE	DOUBLE
Input Signal		4-20mA DC	
Supply Pressure		1.4-7Kgf/cm ² (20-100 Psi)	
Stroke		50 to 1200mm / 0 to 90°	
Impedance		Max. 500 Ohm / 20mA DC	
Air Connection		PT (NPT) 1/4"	
Gauge Connection		PT (NPT) 1/8"	
Conduit		PF 1/2" (G 1/2")	
Protection		IP 66	
Ambient Temp.	Operating	-30°-85°C (-22-185°F)	
	Explosion	-20°-60°C (-4-140°F)	
Linearity		± 2% F.S.	
Hysteresis		± 1% F.S.	
Sensitivity		± 0.5% F.S.	
Repeatability		± 0.3% F.S.	
Air Consumption		3LPM (Sup=1.4Kgf/cm ² , 20psi)	
Flow Capacity		70LPM	
LCD	Storage Temp.	-30°-85°C (-22-185°F)	
	Operating Temp.	-10°-70°C (14-158°F)	
Output Characteristics		Linear, EQ%, Quick Open user set (16 Point)	
Material		Aluminium Die Casting	
Weight		1.7Kg. (3.1 lb)	



OPTIONAL FEATURES

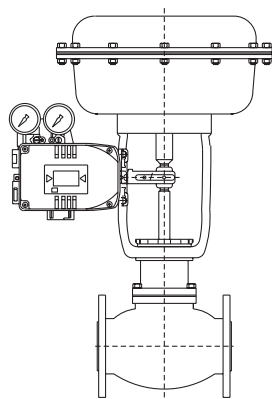
Position Transmitter	Internal Arrangement
	Input Signal : 0-90° (Obtained From Positioner)
	Output Signal : 4-20mA DC
	Load Resistance : 0-600 ohm
	Supply Voltage : 15-30 V DC
Limit Switch	Internal Arrangement
	Rating : AC 0.6A 125V-16A 250V
	Switch Type : 2 x SPDT
Explosion Proof	Ex dm IIB T6
Hart Protocol	

TYPICAL CYLINDER / POSITIONER ASSEMBLY



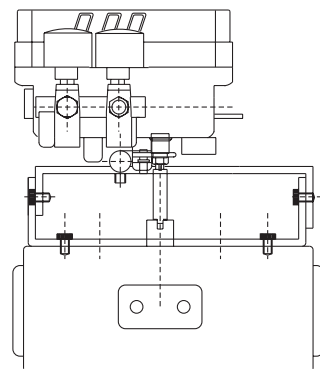
Input Signal : 4 to 20 mA
Cylinder Bore : \varnothing 1-1/2" to 12"
 \varnothing 40 mm to 320 mm

TYPICAL VALVE / POSITIONER ASSEMBLY



Input Signal : 0.2 to 1 Bar (3 to 15 psi)
Maximum Stroke : 150 mm

TYPICAL ROTARY ACTUATOR / POSITIONER ASSEMBLY



Input Signal : 0.2 to 1 Bar (3 to 15 psi)
Angular Movement : 90°

OPTIONAL FEATURES AND ACCESSORIES WITH POSITIONER ASSEMBLY

- Mounting as required
- Bellows (Gaitor) for dust protection
- Turn Buckle (Fork)
- Lockup valve : (Provision for stay put condition)
- Equalising valve
- Viton seals for high temp (180°C)
- Manual override
- Air reservoir
- Speed regulator
- FR unit