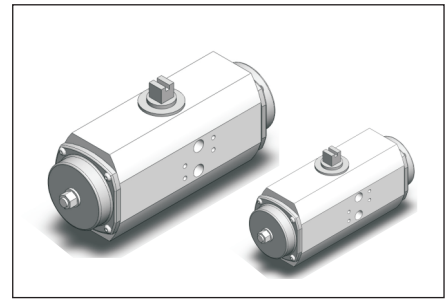
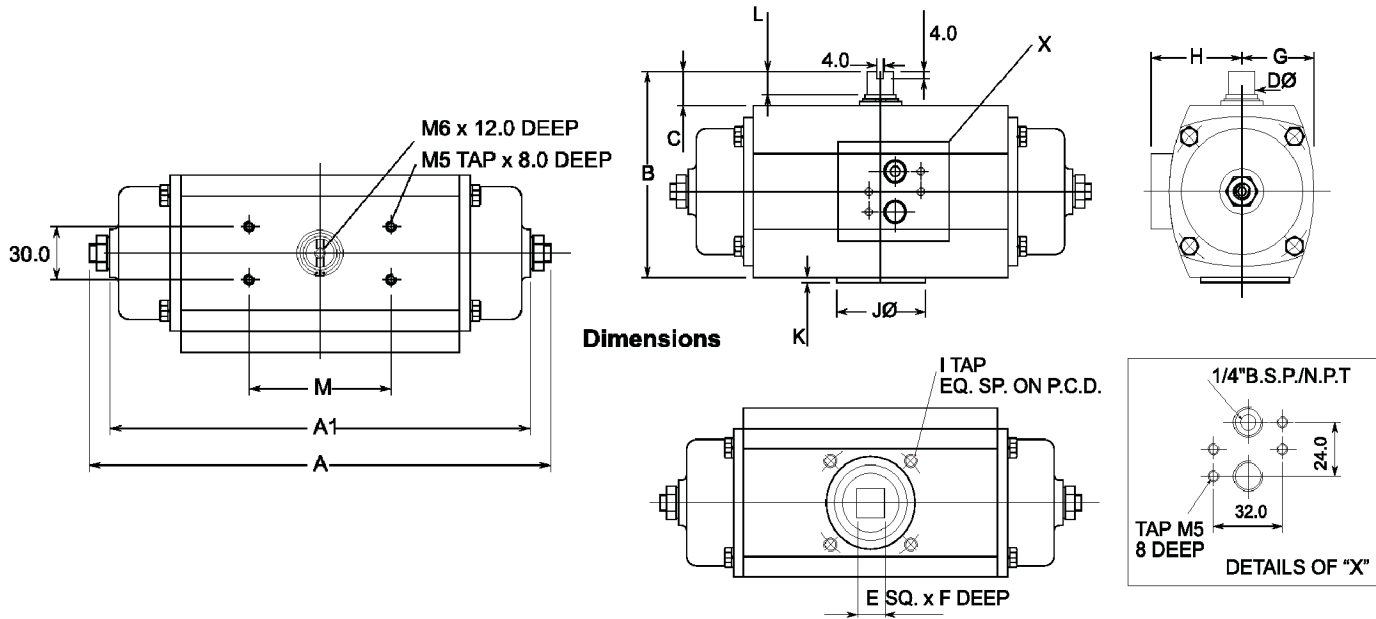


Pneumatic Rotary Actuators

- Compact Rack & pinion design
- Hard anodized aluminium body
- Blow out proof pinion
- ISO 5211 & Namur Standard mounting interfaces
- Quick response time



Actuators are available in spring return and double acting models with torque output ranging from 3Nm to 4000Nm for 0 - 90° that is quarter turn operation for range of pressures from 1 to 8 Bar



ACTUATORS															
MODELS	A	A1	B	C	DØ	E SQ	F DEEP	G	H	I x DEEP	P.C.D	JØ	K	L	M
RMFS/FD040S09	182	115	78	20	12	9	10	24	33	M5 x 8	36	25	1.5	14.5	80
RMFS/FD050S11	194	170	90	20	12	11	12	29	40	M5 x 8	42	30	2	14.5	80
RMFS/FD063S14	223	199	105	20	16	14	16	35.5	47	M6 x 8	50	35	2	14	80
RMFS/FD080S14	241	208	122	20	16	14	16	44.5	56	M6 x 8	50	35	2	14	80
RMFS/FD080S17	260	225	122	20	22	17	19	44.5	56	M8 x 8	70	55	3	14	80
RMFS/FD100S17	312	266	144	20	22	17	19	55	67	M8 x 8	70	55	3	14	80
RMFS/FD100S22	350	299	154	30	30	22	24	55	67	M10 x 8	102	70	3	22	80
RMFS/FD125S22	384	335	186	30	30	22	24	67.5	80	M10 x 8	102	70	3	22	80
RMFS/FD125S27	465	400	186	30	30	27	29	67.5	80	M12 x 8	125	85	3	21	80
RMFS/FD150S27	512	450	220	30	30	27	29	82.5	92	M12 x 8	125	85	3	21	80
RMFS/FD150S36	591	515	220	30	40	36	38	82.5	92	M16 x 8	140	100	4	21	80
RMFS/FD210S46	700	654	290	30	60	46	46	113	127	M20 x 8	165	130	3	17	130
RMFS/FD250S46	580	504	330	30	55	46	46	133	145	M20 x 8	165	130	4	19	130
RMFS/FD300S46	520	458	377	30	60	46	46	160	175	M20 x 8	165	130	5	19	130

Double Acting Torque Output For Pneumatic Actuators In N-m

Part No.	AIR PRESSURE IN BAR							
	2.5	3	4	5	5.5	6	7	8
RMFD040S09	6	8	10	13	14	15	18	20
RMFD050S11	10	12	16	20	22	23	27	31
RMFD063S14	19	23	31	39	43	47	54	62
RMFD080S14	31	38	50	63	69	75	88	100
RMFD080S17	38	45	60	75	83	90	105	120
RMFD100S17	59	71	94	118	130	141	165	188
RMFD100S22	79	94	126	157	173	188	220	251
RMFD125S22	123	147	196	245	270	294	343	392
RMFD125S27	184	221	294	368	405	441	515	588
RMFD150S27	272	326	435	544	599	653	762	870
RMFD150S36	363	433	580	725	798	870	1015	1160
RMFD175S36	470	567	754	945	1037	1135	1333	1573
RMFD210S46	865	1038	1380	1730	1900	2070	2420	2760
RMFD250S46	980	1170	1570	1960	2150	2350	2740	3140
RMFD300S46	1480	1780	2370	2960	3260	3560	4150	4740

Single Acting (Spring Return) Torque Output For Pneumatic Rotary Actuators In N-m

Part No.	SPRING SET	SPRING TORQUE		AIR PRESSURE IN BAR					
				2.5		4		5.5	
				A.S	A.E	A.S	A.E	A.S	A.E
RMFS040S09	1	3	2	4	3	-	-	-	-
	2	6	4	-	-	6	4	-	-
	3	8	4	-	-	-	-	10	6
RMFS050S11	1	4	4	6	5	-	-	-	-
	2	8	6	-	-	9	8	-	-
	3	13	9	-	-	-	-	13	9
RMFS063S14	1	10	8	12	9	-	-	-	-
	2	18	14	-	-	17	13	-	-
	3	26	18	-	-	-	-	25	17
RMFS080S14	1	21	15	16	10	-	-	-	-
	2	27	20	-	-	30	23	-	-
	3	44	32	-	-	-	-	37	25
RMFS080S17	1	26	17	21	12	-	-	-	-
	2	33	22	-	-	38	28	-	0
	3	53	36	-	-	-	-	47	30
RMFS100S17	1	37	30	29	22	-	-	-	-
	2	53	44	0	0	51	41	-	-
	3	77	60	0	0	-	-	70	53
RMFS100S22	1	49	37	42	29	-	-	-	-
	2	71	54	-	-	72	55	-	-
	3	103	72	-	-	-	-	101	70
RMFS125S22	1	78	64	58	44	-	-	-	-
	2	120	93	-	-	103	77	-	-
	3	166	126	-	-	-	-	144	104
RMFS125S27	1	117	85	99	67	-	-	-	-
	2	179	121	-	-	174	115	-	-
	3	248	160	-	-	-	-	245	156
RMFS150S27	1	156	122	150	116	-	-	-	-
	2	238	190	-	-	246	197	-	-
	3	333	258	-	-	-	-	341	266
RMFS150S36	1	211	148	215	151	-	-	-	-
	2	321	231	-	-	349	256	-	-
	3	444	310	-	-	-	-	488	354
RMFS175S36	1	275	188	282	192	-	-	-	-
	2	423	315	-	-	438	331	-	-
	3	582	405	-	-	-	-	634	456
RMFS210S46	1	553	367	493	307	-	-	-	-
	2	889	590	-	-	790	491	-	-
	3	1254	831	-	-	-	-	1069	646
RMFS250S46	1	591	407	573	389	-	-	-	-
	2	965	667	-	-	903	605	-	-
	3	1320	905	-	-	-	-	1245	830