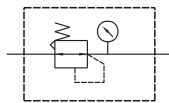




Symbol



Specification

| Model | SAIR200 |
|--------------------------|---------------------------------|
| Bore No. | 8A |
| Port size | 1/4 |
| Medium | Air |
| Max. operating pressure | 1 MPa |
| Proof pressure | 1.5 MPa |
| Regulated pressure range | 2K: 0.005~0.2 MPa |
| | 4K: 0.01~0.4 MPa |
| | 8K: 0.01~0.8 MPa |
| Sensitivity | Within 0.2% of full span |
| Repeatability | Within $\pm 0.5\%$ of full span |
| Ambient temperature | -5~+60°C (No freezing) |
| Attachment | Bracket |
| Option | Pressure gauge |
| Weight | 300g |

Order example

SAIR200 - 8A - 2K - C - □

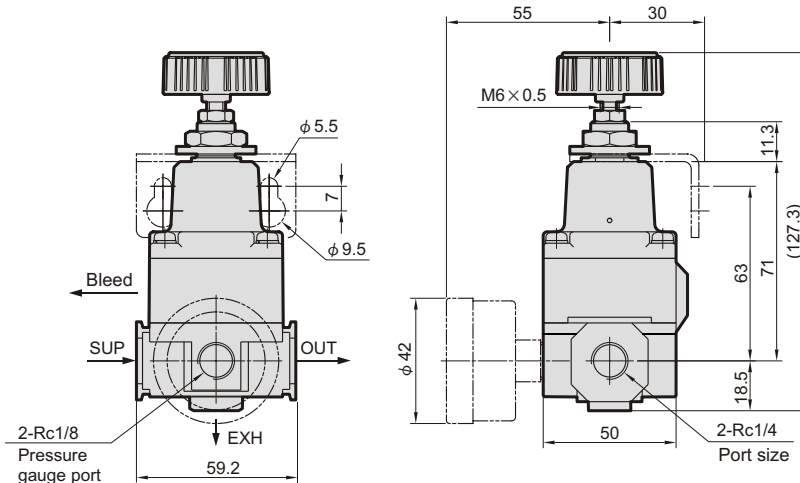
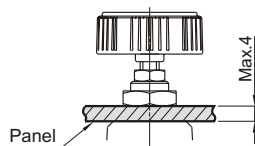
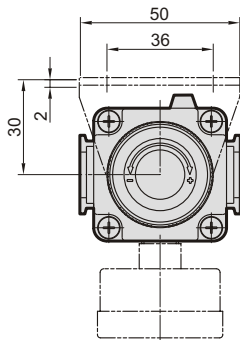
MODEL

BORE SIZE
8A : 1/4

PRESS. RANGE
2K : 0.005~0.2 MPa
4K : 0.01~0.4 MPa
8K : 0.01~0.8 MPa

PRESSURE GAUGE

PORT THREAD
Blank: Rc thread
G: G thread
NPT: NPT thread



Flow feature

