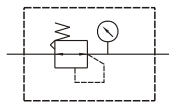


SAIR100 series

AIR UNITS (PRECISION REGULATOR)



Symbol



Specification

Model	SAIR100
Bore No.	6A
Port size	1/8
Medium	Air
Max. operating pressure	1 MPa
Proof pressure	1.5 MPa
Regulated pressure range	2K: 0.005~0.2 MPa
	4K: 0.01~0.4 MPa
	8K: 0.01~0.8 MPa
Sensitivity	Within(E) 0.2% of full span
Repeatability	Within(E) ± 0.5% of full span
Ambient temperature	-5~+60°C (No freezing)
Attachment	Bracket
Option	Pressure gauge (PG-33S)
Weight	150 g

Order example

SAIR100-6A-2K-C-□

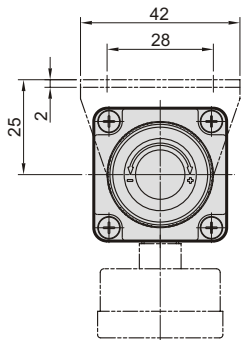
MODEL

BORE SIZE
6A : 1/8

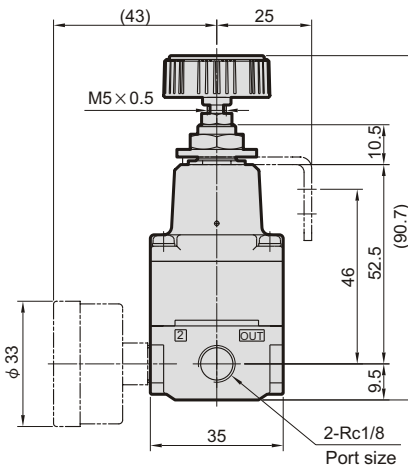
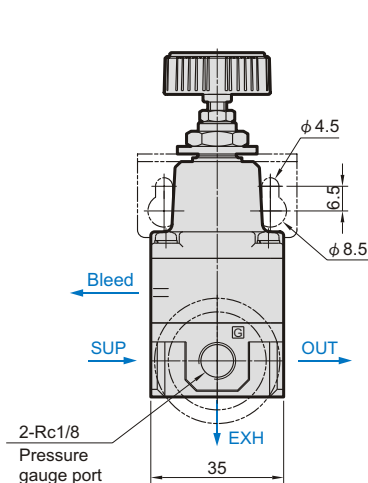
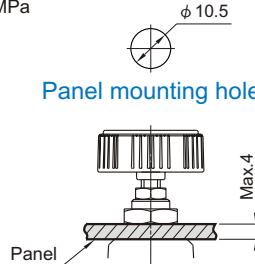
PRESS. RANGE
2K : 0.005~0.2 MPa
4K : 0.01~0.4 MPa
8K : 0.01~0.8 MPa

PRESSURE GAUGE

PORT THREAD
Blank: Rc thread
G: G thread
NPT: NPT thread



Panel mounting hole



Flow feature

